

# 2021 NEW PRODUCTS

  
**PLASTIMO**  
*happy boating to you!*



The sailing season is already there and we all look forward to boating, whether offshore sailing, day-cruising or enjoying fishing parties...

Just the right time for the Plastimo team to wish « Happy Boating to You ! »

Having a good time is everybody's first motivation for going on and off the water. We share that feeling at Plastimo and that's why our teams are fully dedicated to developing and selecting products that contribute to your peace of mind and serenity : childrens' lifejackets with vibrant colours, buoyancy aids for dinghy sailing or water skiing to combine with dry suits from our specialist partner Typhoon.

To help you have a really enjoyable summer, the Plastimo team also anticipates the awesome moments of fun on board, and proposes water skis and wakeboards for dynamic boating, T-Tops and deck showers for leisurely comfort, BBQ's to entertain family and friends...

In our Safety section (you are with Plastimo... Safety is a Must), we are offering a large range of VHF radios, fixed or handheld, and also no less that 8 models of distress beacons, deck lighting and navigation lights.

As you can see, we have loads of excellent reasons and exciting projects to share with you in this early season. Other Plastimo events will come in the loop of the Summer : stay tuned !

In the meantime, our Plastimo teams and ambassadors around the world are anxious to see you around... on the water !

Yann Cornec  
General Manager



**Make sure you don't miss  
our full range : 11.000 products  
over 600 pages which you can browse  
and download on line [www.plastimo.com](http://www.plastimo.com)**

  
**PLASTIMO**  
*happy boating to you!*





P. 28

P. 52-54

P. 63

P. 10

P. 18 - 20

P. 81

P. 39

P. 21

P. 57

P. 24

P. 80

P. 14-17

P. 40-43

P. 59

P. 9

P. 9

P. 69

P. 64 - 65

**A**

AdvanSea..... 44  
 AIS Personal Locator Beacon ..... 17  
 Antennas (TV) ..... 50-51  
 Anti-return valve (fuel) ..... 80

**B**

Bags (waterproof)..... 23  
 Batteries..... 57-58  
 BBQ ..... 66-68  
 Beacons (EPIRB)..... 14-15  
 Beacons (PLB)..... 16-17  
 Beanie hat (waterproof) ..... 21  
 Binoculars ..... 45-47  
 Block (ratchet)..... 63  
 Boat care ..... 76-81  
 Brushes & brooms (washdown)..... 78,80  
 Bucket..... 80  
 Buoyancy aids (Typhoon)..... 10

**C**

Cap retainer ..... 25  
 Chain (mooring)..... 33  
 Charts (SHOM) ..... 48-49  
 Children's lifejackets ..... 5,11  
 Circuit breakers ..... 59  
 Cleaners ..... 76-81  
 Cleats (Quick) ..... 63  
 Compass (electronic) ..... 44  
 Cords for glasses ..... 25

**D**

Deck hatches ..... 64-65  
 Deck water systems ..... 60-63  
 Dry bags ..... 23  
 Dry suits..... 18-20

**E**

Electric panels..... 59  
 EPIRB beacons ..... 14-15  
 Eyewear ..... 24-25  
 EZ Elec (circuit breaker units)..... 59  
 EZ Water (deck water units) ..... 60-62

**F**

Fenders..... 31-33  
 Fender profiles ..... 34-35  
 Fishmaster leaning posts ..... 72-75  
 Food rations ..... 12

**G**

Gangway (inflatable) ..... 30  
 Gloves (waterproof) ..... 21

**H**

Hatches (deck) ..... 64-65  
 Headlights..... 28  
 Hook (boat hook)..... 79  
 Hose (washdown)..... 80

**I**

Inflatable tenders..... 36-38  
 Inflators..... 31

**K**

Key rings (buoyant)..... 25  
 Kneeboard ..... 69  
 Knives ..... 26-27

**L**

Lamps..... 55-56  
 Leaning posts..... 72-73  
 Letters (registration) ..... 35  
 Lifejackets ..... 2-11  
 Lighting (cabin & chart table) ..... 55-59  
 Lights (deck) ..... 53  
 Lights (navigation)..... 52-54

**M**

Mirror (dashboard) ..... 69  
 Mixer tap ..... 61  
 Mooring accessories..... 79  
 Mooring kit..... 13  
 Mooring springs ..... 33  
 Motors (outboard) ..... 39  
 Multi-tool knives ..... 26-27

**N**

Navigation lights ..... 52-54

**O**

Outboard motors ..... 39  
 Outboard trolley..... 39

**P**

PLB's (Personal Location Beacons) ..... 16-17  
 Pumps (inflating)..... 31

**R**

Rack for kayak, SUP, wakeboard ..... 30  
 Re-arming kits (lifejackets) ..... 6-7  
 Repeater (AdvanSea) ..... 44  
 Rescuer Belt ..... 8  
 Rope (water ski) ..... 71

**S**

Safety pack for small crafts ..... 13  
 SART transponder ..... 15  
 Sealant (crack cure) ..... 80  
 Seapack 150 lifejacket..... 8  
 Searchlight..... 29  
 Shackle (mooring)..... 33  
 Shoes ..... 22  
 Socks (waterproof) ..... 21  
 Splicing needles..... 63  
 Spreader lights ..... 29,53  
 Stand-Up Paddle..... 71  
 Sunglasses..... 24  
 Survival food & water rations..... 12

**T**

Tenders (inflatable)..... 36-38  
 Tethers ..... 9  
 Tools (Leatherman)..... 26-27  
 Torches ..... 28-29  
 Towed buoys ..... 70  
 Trailer (lights) ..... XX  
 Trolley (for outboard engine) ..... 28  
 T-Tops (Fishmaster)..... 74-75

**U**

Underwater lighting ..... 56

**V**

VHF radios (handheld & fixed)..... 40-43

**W**

Wakeboards ..... 69  
 Wallet (buoyant)..... 25  
 Water inlet/outlet..... 62  
 Water skis ..... 69  
 Waterproof bags..... 23  
 Water toys..... 70  
 WiFi S400 AdvanSea..... 44

# Pilot 165 lifejacket

A quintessential model in our lifejacket range, the Pilot 165 matches most boaters' needs and remains an excellent value for money.

Comfortable and lightweight, it is the **perfect all-rounder lifejacket**, ideal for all nautical activities (coastal boating, regular daycruising, racing...).

As the most efficient jacket is the one you actually like to wear, we have redesigned the outer shell to enhance comfort, elegance and modern features, while ensuring its primary mission : to protect the lifejacket safety essentials.



- **Ergonomic design, elegant and modern.**  
Very flexible and body-hugging providing a perfect fit to an active crew.  
Slim cut with optimized folding : just the right degree of compactness to preserve flexibility.
- **Soft and flexible fabric.**



- **Outer shell with zip closure.**  
Perfect finish and great looks, opening of outer shell only when required.  
Provides a better protection of the air chamber and avoids outer shell untimely opening.  
Easy to fold and re-pack when checking or servicing.

**MADE BY  
PLASTIMO**



2

	PILOT 165 no harness (EN ISO 12402-3)		
	BLUE	RED	BLACK
Manual	66783	66781	66785
Automatic	66797	66795	66799
Hydrostatic Hammar	66809	66807	66811

	PILOT 165 with harness (EN ISO 12402-3 / 12401)		
	BLUE	RED	BLACK
Manual	66791	66789	66793
Automatic	66803	66801	66805
Hydrostatic Hammar	66815	66813	66817





Zip opens at both ends : easier to check quickly the inflation status. Also facilitates servicing.



• **Ergonomic harness with textile loop.**  
Sewn horizontally for enhanced ergonomy. Heavy duty hi-tech fibre with retro-reflective insert. Lightweight loop, just rigid enough to hook tether easily (shown here with tether, not included).



• **Double safety buckle** on jackets with no harness : double push-piece security, easier to click on and off.

Options



• **Crutch strap 50524**



• **Sprayhood 64950**  
ISO 12402-8 compliant



• **Molle® stowage pouch 65575**



**Flashlight**  
• **Automatic : 2263071**  
• **Manual : 2263075**



• **Safety knife 65475**



Spare

Re-arming kits

- **For manual system : 40199**
- **For automatic system : 40200**  
(Water dissolving capsule alone : 40255)



- **For Hammar system : 58461**  
(Firing head alone : 61671)



**XXL Pilot 165 lifejacket 68786**

Rated 150 N, actual buoyancy 165 N.

Automatic lifejacket with harness, with same features as model ref. 66801 but with belt designed for **a 60 to 175 cm waistline.**

# EVO lifejackets



Unique design : short cut on chest combined with water-drop shape provides superior comfort and shoulder mobility. Different versions for the whole family.

- Ergonomic & short on chest.
- Flat and body-hugging for optimum freedom of movement and shoulder mobility.
- Ideally tailored for very active crew on deck. Comfy feeling even when sitting (kayak, angling...).
- Reinforced belt on stomach to improve comfort.
- Easy to put on (over-the-head).
- Overhead donning, side fastening and adjustment. Perfect finish and great looks, opening of outer shell only when required. Provides a better protection of the air chamber and avoids outer shell untimely opening. Easy to fold and re-pack when checking or servicing.
- Fluo yellow air chamber with retroreflective tapes.
- Removable and adjustable crutchstrap.
- Harness with textile loop, ideally centered. Heavy duty hi-tech fiber with retroreflective insert.



CE

## Extra safety tips !

For optimum safety and visibility when needed, we recommend to fix a flashlight on the air chamber of every lifejacket on board. Why choose a lifejacket with integrated harness ? because it is the only model that features the adequate resistance to clip a tether to keep you on board.





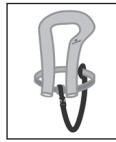
## EVO-j lifejacket

- Blue pattern design : 67362
- Red : 67360

Automatic inflation lifejacket, designed for wearers with 20 to 50 kg bodyweight.

Soft and flexible fabric in either plain red or blue with graphic design (selected by a jury panel of youngsters aged 9 to 12).

**110 N buoyancy**, i.e. superior to the 90 N standard requirement : improves the self-righting capacity and provides higher freeboard to keep head well above water. Neoprene collar for added comfort. Adjustable back strap helps keep jacket perfectly adjusted.



Integrated harness (ISO 12401) with textile loop in heavy duty hi-tech fibre, to hook the tether on.



### Options & Spares

- Automatic flashlight : 2263071

- Automatic re-arming kit : 38429

See also page 11 : Foam lifejackets for children.



## EVO 165 lifejacket

Proposed in 3 colourways with a new soft and flexible fabric : classic black, safety orange and tonic turquoise. Equally adapted to stout body-builds.

YKK QBZ® zip designed and certified specifically for use on lifejackets. Double crutchstrap.



**EVO**  
165

EVO 165	EVO no harness (EN ISO 12402-3)		
	BLACK	ORANGE	TURQUOISE
Manual	66945	66943	66946
Automatic Pro Sensor	66955	66953	66957
Hydrostatic Hammar	66967	66965	66969
EVO 165	EVO with harness (EN ISO 12402-3 / 12401)		
	BLACK	ORANGE	TURQUOISE
Manual	66950	66948	66952
Automatic Pro Sensor	66961	66959	66963
Hydrostatic Hammar	66973	66971	66975

### Options & Spares

- Manual flashlight : 2263075
- Automatic flashlight : 2263071
- Safety knife : 65475
- Sprayhood : 64950
- Molle® pouch : 65575

#### Spares

- Manual re-arming kit : 40199
- Automatic Pro-Sensor re-arming kit : 65769 (water-dissolving capsule alone : 64496)
- Automatic Hammar hydrostatic re-arming kit : 58461 (Hammar firing head alone : 61671)

# Inflatable lifejackets care & service



Designer and manufacturer of lifejackets for over 50 years, Plastimo gives you the necessary clues to keep your jacket in working order. An inflatable lifejacket must be serviced and thoroughly inspected at regular intervals to make sure it is fully operational at all times.

## How to inspect and service your lifejacket ?

In the absence of a regulation defining servicing intervals, Plastimo recommends :

- A regular visual inspection conducted by the boat captain who is responsible for the crew's safety.
- A professional servicing session every 3 years minimum, carried out in the Plastimo factory or by one of our approved stations. In case of intensive or professional use, an annual servicing session is necessary.

## Visual inspection by the boat captain :

Before putting off to sea, we strongly recommend that you check visually your lifejacket general condition, following the indications in the user's manual.

This consists in checking the major components and making sure that none of them gives evidence of any wear and tear : outside hull, inflatable chamber, straps, fastening buckles, whistle, retroreflective tapes, CO<sub>2</sub> bottle, firing head.

### Pay particular attention to :

- Firing head : the gas bottle must be full, firmly secured/ screwed and showing no sign of corrosion. Check the correct status of the green safety indicators (green clip or green bright spot).



- Expiry date on the firing head of automatic or hydrostatic inflation models.



NEW :  
EVEN SAFER



Since May 2020, Plastimo incorporate a Cylinder Safe Retainer (CSR) in the production of all their inflatable lifejackets\*.

Lifejackets currently in use will be upgraded to include the CSR when are sent for servicing to the Plastimo factory or to a Plastimo approved station.

(\*UML inflation heads, models MK2, MK5, M2, M3 and ProSensor).



## Which re-arming kit for my lifejacket ?

Identify the type of firing head.

		Personal dan buoy	Pilot Junior EVO-j
	<b>Buoyancy</b>	50 N	110 N
	<b>Gas bottle model</b>	11 g	24 g
		<b>COMPLETE RE-ARMING KIT</b>	
UML Manual	<b>Manual UML</b> (no cartridge to trigger automatic inflation)	53484	-
	<b>Automatic UML5</b>	-	38429
UML Automatic	<b>Automatic Pro Sensor</b> (with visual indicators) UML MK2 MK3	-	-
	<b>Automatic Pro Sensor "Elite"</b> (with visual indicators)	-	-
Hammar hydrostatic	<b>Auto Hammar</b> (hydrostatic) A1	-	-
	<b>Auto Hammar</b> (hydrostatic) MA1	-	-

## Professional servicing

Plastimo recommends servicing every 3 years either in our factory or in a Plastimo authorized station.

Find the closest authorized station on [www.plastimo.com](http://www.plastimo.com) or identify it with this window sign. Such stations are also entitled to service professional PFD's which require an annual servicing.



If replacement is necessary, use Plastimo re-arming kits exclusively.

Professional servicing consists in :

- A thorough inspection of the lifejacket general condition.
- Inflating the lifejacket to check the airtightness.
- Inspecting the inflation system (inflation head, CO<sub>2</sub> gaz bottle).
- Upgrading the lifejacket in case of a technical or standard evolution (e.g. adding the Cylinder Safe Retainer).
- Re-arming and re-packing the jacket following a very strict folding procedure.

## ⚠ Use-by date / product lifetime :

- Water dissolving cartridge : 3 years.
- Hammar hydrostatic system : 5 years.
- Gas bottle : no expiry date. Must be replaced if corroded, if leaking or if lifejacket was blown open.

The lifejacket lifetime is directly related to its storage, frequency and conditions of use. Storing the lifejacket in a dry place when wintering preserves the components and contributes to extending the lifejacket lifetime. Plastimo recommends to replace a lifejacket showing signs of wear and tear.

Pilot 165 ; EVO 165 Seapack ; Seashore Pilot Pocket Rescue belt Pilot Race Quickfit ; Easyfit	SL180 Pilot Pro 180	Pilot 275 Dan buoy	Pilot 290	Austral 180 SOLAS 150	SOLAS 275	
150 N - 165 N	180 N	275 N	290 N	150 N - 180 N	275 N	
33 g	38 g	60 g	60 g	2 x 33 g	2 x 60 g	
<b>COMPLETE RE-ARMING KIT</b>						<b>AUTOMATIC CARTRIDGE ALONE</b>
40199	-	50374	-	-	-	-
40200	64114	50375	50375	2 x 40200	2 x 50375	40255
58460	64115	61654	-	-	-	58505
65769	65872	65926	-	-	-	64496
40201	-	50376	-	-	-	42440
58461	64116	61634	66435	-	-	61671 65639 (Pilot 290)



# Seapack 150 lifejacket



Inflatable air chamber is protected in a vacuum sealed pouch, with quick tear opening.

## Seapack 150 67327

Manual inflation.

Designed for an emergency situation such as abandonment conditions.

Most compact : ideal format for a grab bag.

Can also be used on passenger vessels\*.

\*check regulation per type of vessel and transport.

### Accessories

Ideal in an emergency situation or as a spare / extra equipment in a grab bag, Seapack does however not replace a lifejacket that Plastimo recommends you to wear as a regular outfit when sailing.

#### • Spare protection pouch : 65954

*Pouch originally comes vacuum-sealed out of our factory. Easy to re-pack your Seapack once it has been blown open, by using this spare protection pouch after replacing gas bottle.*

#### • Re-arming kit : 40199

*Manual, 33 g CO<sub>2</sub>.*

### SEAPACK 150 N

**Performance & recommended use**

**Rated 150 N, actual buoyancy 165 N.**  
Manual firing only. Turns wearer in upright position. Midshore navigation.

**Air chamber**

- Yellow polyurethane, 33 g CO<sub>2</sub> gas inflation bottle.
- Strap to secure a flashlight.
- Oral inflation tube, whistle, 300 cm<sup>2</sup> retro-reflective tapes.
- Features superior to standard requirements : buoyancy upgraded to 165 N and grab handle.
- Waistbelt : Buckle in glass-filled polyamid + 40 mm polyester strap (fits waistline 60 to 130 cm).

**Vacuum pouch**

- Unmatched compactness, ideal in a grab bag. Vacuum sealed for extended life.
- Dimensions : 310 x 220 x 45 mm.
- Weight (including jacket) : 610 g.

# Rescue Belt



## Rescue Belt 67140

Manual activation inflatable buoy. Clip it around your waist, it is so lightweight and compact that you forget you are wearing it. If needed, just pull the toggle that triggers the inflation. Designed in a highly resistant material, it features two handles for one or two persons to hold on to it easily. The buoyancy aid is attached to the bum bag with a 1 m strap which allows to provide floatation to a person nearby and tow him/her towards the shore.

Developed in cooperation with water striding enthusiasts (shoreline hiking).

### RESCUE BELT

**Performance & recommended use**

**150 N buoyancy.**  
Versatile product for numerous applications : swimming, on-foot fishing, water striding... Highly recommended for instructors coaching a group of water striders.

**Bum bag**

Weight 450 g. Dimensions 260 x 100 x 70 mm.

*Re-arming kit : 40199. Manual, 33 g CO<sub>2</sub>.*







J.M. Lot ©

# Plastimo-SNSM\* tether

RORC-RSO 2018 compliant

ISO 12401

Sharing the same commitment to safety at sea, Plastimo innovates with SNSM\*

## 3-hook tether SNSM\*-Plastimo 67494

When developing a new product, Plastimo systematically teams with experts for extra technical input and live experience. In the case of a harness tether, whose advice could be more relevant than the national search and rescue squads? So Plastimo was proud and thrilled when the French National Lifeboat & Lifeguard Society (SNSM) asked our R & D teams to co-develop and manufacture the tether that rescue teams will use in their mission: a technical and really innovative product stemmed from this cooperation.

This tether is **now available to all sailors.**

- One-piece tether: while tethers are traditionally constructed from two webbing pieces, the Plastimo-SNSM model is built from one single webbing strap. This exclusive design provides optimum safety and added performance feature.
- Flexible tether includes a sewn-in retro-reflective thread to optimize visibility at night.
- Double safety aluminum hooks with anti-slip-grip treatment: a yellow hook secured to the harness and two orange hooks connected to the jackline or fixed point on the boat. Orange hooks feature an additional protection against rubbing and chafing through a hard-anodizing process.
- One short straight strand 100 cm, one long elastic strand 110-175 cm.
- Two strain indicators: when the tether is submitted to a heavy load, the strain indicator exposes a label indicating that the tether should be replaced.
- Supplied in a mesh bag.
- Breaking strain: 1650 kg.
- Weight: 570 g.

\*French National Lifeboat & Lifeguard Society



### Discover the Plastimo tether assortment [www.plastimo.com](http://www.plastimo.com)

With three different kinds of hooks combined with flat, elastic or double tethers, the Plastimo range offers 12 possible combinations, meeting all sailors' needs.





# Multi-sports buoyancy aids



Lifeguard designer and manufacturer for over 50 years, Plastimo teams up with Typhoon, the specialist of **water sports protection equipment** and proposes a selection of multi-sports buoyancy aids : dinghy and foil-sailing, kitesurf, kayak, waterski, wake-board, tow-buoys, jetski...



Back of buoyancy aid



## Amrok 50 N buoyancy aid

Buoyancy aid designed for a variety of uses, from kayaking to sailing. Comfortable, ergonomic and easy to wear thanks to front zip. Easy to put on and use with front entry zip, crutch strap attachment and a front zip chest pocket. High on chest with wide arm holes for maximum freedom of movement.

- EPE foam.
- Fully adjustable waist webbing straps.
- Concealed shoulder adjustment rings.
- Elasticated side panels.
- Front entry YKK® zip with locking slider.
- Dual crutch strap.
- Retro-reflective tapes on the back.

Weight	Size	Blue	Red	Chest size		Actual buoyancy
				cm	in	
30-50 kg	XS/S	<b>68982</b>	<b>68979</b>	71-91	28-36	40 N
50-70 kg	M/L	<b>68983</b>	<b>68980</b>	91-111	36-44	45 N
+ 70 kg	XL/XXL	<b>68984</b>	<b>68981</b>	111-127	44-50	50 N



Back of buoyancy aid



## Solva ski 50 N buoyancy aid

Buoyancy aid designed for waterski, jetski or wakeboard. Combines impact protection, ergonomics and comfort.

- High impact-resistant foam.
- 4-strap adjustment with buckle closure system.
- Soft and resistant fabric.
- Circuit breaker ring.

Weight	Size	Ref.	Chest size		Actual buoyancy
			cm	in	
30-50 kg	XS/S	<b>68985</b>	71-91	28-36	45 N
50-70 kg	M/L	<b>68986</b>	91-111	36-44	60 N
+ 70 kg	XL/XXL	<b>68987</b>	111-127	44-50	70 N

# Typhoon junior lifejacket

The iconic Typhoon junior lifejacket, the all-rounder model for children, widely praised by the international boating press -and by thousands of sailing parents- re-vamped with vibrant colours. And of course, also available in the timeless plain orange version, a must-have in the family safety package.



**MADE BY  
PLASTIMO**



©Jean-Marie Liot / Plastimo

nouveau picto à venir



Foam buoyancy lifejacket designed for children up to 30 kg, featuring all the safety essentials for your young crew to enjoy boating and seashore activities.



## Typhoon junior lifejacket

- **Buoyancy** : polyethylen foam providing superior buoyancy to the standard requirement (30 % extra buoyancy vs. required by regulation).
- **Self-righting capacity** generated by asymmetrical construction.
- **Large roll-around collar** with increased buoyancy for added comfort and improved head support.
- **Visibility** : vibrant colour material, fully approved. 100 cm<sup>2</sup> reflective tapes.
- **Closure** : zip + adjustable waist belt with plastic buckle. Hem tightening drawstring for snug fit.
- **Crutch strap** : prevents lifejacket from riding up when the child is in the water.
- Grab loop
- Whistle.

Child's weight	Age (as a guide only)	Orange	Yellow with pattern
3-10 kg	Baby/Toddler 1-2 years	<b>58614</b>	<b>67829</b>
10-20 kg	Child 2-5 years	<b>58615</b>	<b>67830</b>
20-30 kg	Child 5-8 years	<b>58616</b>	<b>67831</b>

The child's weight is considered by the regulation as the criteria serving as a basis for buoyancy per size.

Therefore, we indicate the age as a guide only : it is imperative that the child tries on the lifejacket before purchase.

**Inflatable or traditional foam lifejacket ?** For a very young child, a foam lifejacket has extra benefits : it is most welcome when your young crew wants to take a swim or play in the water around the boat. In addition, it comes as a nice protection shell as the child is "bundled up" and avoids some hard knocks thanks to the lifejacket.



# Survival equipment

**Fresh water and food rations** are the ultimate survival equipment, indispensable for any yachtsman or seafaring crew likely to be in an emergency situation far away from any rescue possibility for a period of time.

Water and food definitely belong to an abandon ship grab bag, together with distress signals, handheld VHF, PLB's, etc...

Plastimo drinking water and food rations comply with all international standards or recommendations related to maritime and aeronautical activities, as well as humanitarian missions conducted by NGO's.



## Standard compliance - Homologation

- **Food rations :**  
**SOLAS 74-94, ISO 18813:2006, IMO MSC 48(66) LSA Code, RINA.**  
Contain GMO-free cereals.  
Halal certified.
- **Fresh water :**  
**SOLAS 74-94, ISO 18813:2006, IMO MSC 48(66) LSA Code.**  
MSN1676(M), Merchant Shipping Reg. 99  
Bureau Veritas certified 0062-23889 N° 8960 14 5310350 (NATO).

Ideal in a grab bag to complement a coastal or < 24-hour blue water liferaft.

## Survival food rations

Come as readily divided biscuits, each vacuum packed individually.

**515 g box = 10.410 kJ = 2.392 kcal.**

One box contains 7 biscuits of 73.5 g wrapped in a sealed foil sachet.

In survival conditions, the recommended daily consumption is 3 biscuits maximum per person.

Best-before date : 5 years.



Ref.	Description	Units in box
<b>301541*</b>	<b>515 g.*</b> food rations	1 unit of 515 g.*
<b>14116</b>	<b>10.300 kg</b> food rations (515 g. x 20 units)	1 box containing 20 units of 515 g.

\* Quantity per person required by the majority of racing committees and organisations.

## Fresh water

Extremely pure water, treated and processed under the strict control of an independent health protection certified organisation.

Come in 125 ml individual portion sachets for an easy and controlled consumption.

The 3-layer highly resistant foil coated polyethylene contributes to the anti-bacteria protection over time and it also provides a high mechanical resistance : water sachets are designed to resist the high degree of compression in a liferaft and also resist a 35 m drop test (SOLAS standard) without leaking or bursting.

Best-before date : 5 years.



Ref.	Description	Units in box
<b>300448*</b>	<b>1.5 Litre*</b> (125 ml x 12 sachets)	1 x 1.5 L sealed pouch*
<b>35541</b>	<b>14 Litres</b> (125 ml x 4 sachets, in 28 pouches of 0.5 L)	1 box containing 28 sealed pouches of 0.5 L
<b>21368</b>	<b>15 Litres</b> (125 ml x 24 sachets, in 5 pouches of 3 L)	1 box containing 5 sealed pouches of 3 L

\* Quantity per person required by the majority of racing committees and organisations.



## Survival backpack (grab bag)

**58048**

Watertight backpack in highly resistant red 500 D PVC.

Roll-down closure system and webbing straps.

Semi-rigid batten facilitates rolling down.

Wide comfortable shoulder straps and foam padded back.

Side pocket on waist belt. Interior pocket.

Large ergonomic handle.

- Dimensions : Ø 36 cm, height 62 cm (closed bag).
- Capacity : 63 litres.

## Why water sachets on board, rather than a plain bottle of water ?

Drinking water processed in vacuum sachets is submitted to a special treatment which guarantees that the water will remain bacteria-free for 5 years\*, whatever the temperature fluctuations (from -30 to +40°C). Standard drinking water in bottles will remain pure for 2 years maximum.

\* Reason why drinking water is part of the elements replaced in a liferaft when it is submitted to the 3-year servicing session.

# PK2 Safety package < 2 MN

## 67508

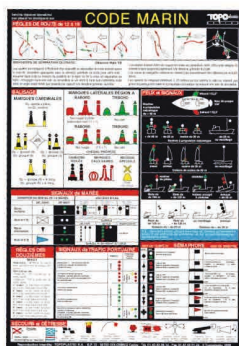
Safety package for kayak or other kind of small crafts. This package complies the French Division 240 and is only given here as a guide to our foreign customers. It should be completed with a buoyancy aid 50 N per person (to find in the Plastimo offer, depending on the size needed) and tide tables and schedule.

Package includes :

- Orange and black bicolour backpack in Tarpaulin 500D, polyester fabric 500 g/m<sup>2</sup> with double coating. Capacity 30 L. The valve allows to inflate the bag to make it buoyant or evacuate air trapped to optimize the volume of the bag in relation to its contents.
- Marine code.
- Bailer.
- Automatic flashlight.
- Floating mooring rope 7 m.
- Emergency telescopic aluminium paddle.



2340361



1990046



67506



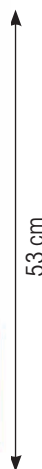
2263072



16207



67505



53 cm



107 cm

# Mini mooring package

## 67441

Ideal for small crafts like kayak, jet ski, sport boat, tender, stand up paddle. Compact and easy to use, this mooring package could be used with any kind of grounds, in the sea or river. Weight : 1.9 kg. Dimensions 32 x ø 9 cm.

The kit is composed of :

- Grapnel 1.5 kg.
- Rope 7.6 m.
- Stainless steel hook.
- Quilted and reinforced cover.





# Distress beacons

Always paying extreme attention to the latest developments that can complement its safety and rescue equipment, Plastimo teams up with the leading brands and has selected no less than 8 distress beacon models : EPIRB's, SART transponder, PLB and AIS personal beacons.

## EPIRB beacons



### GlobalFIX V4 EPIRB

**67781**

- Built-in GPS.
- Manual or water activated.
- MEOSAR\* compatible.
- 48-hour operational time.
- **Lithium battery with 10-year replacement life, user-replaceable.**
- Self-test button (test recommended once a year).
- **Quick release bracket.**
- **SOLAS approved.**
- Weight : 764 g.

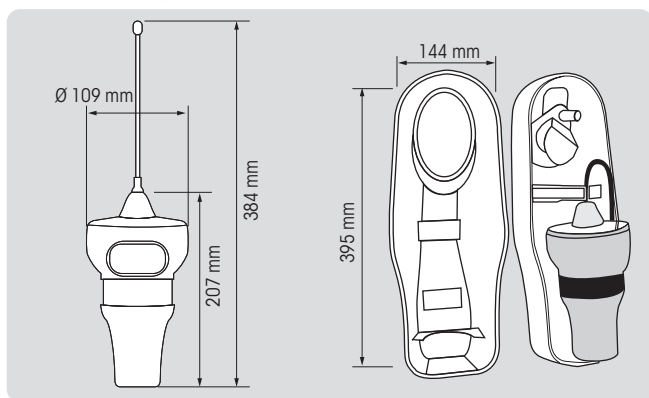


EPIRB on its quick-release holder and stowed antenna.



**GlobalFIX V4 EPIRB with automatic release container : 67782**

For commercial applications.



#### \* MEOSAR compatible beacon

(Medium Earth Orbiting Search And Rescue) ; Communication system under deployment progress on middle altitude orbiting satellites (GPS, Galileo). By using a large number of satellites, it offers a more instantaneous signal detection and transmission to ground stations : beacon can be located within 5 minutes of the distress signal vs. up to 50 minutes previously (maximum time between 2 satellites above the distress spot).

MEOSAR will eventually enable casualties to be informed that the distress signal sent has indeed been received by a ground station.

### What you should know about EPIRB's

An EPIRB is the biggest of all distress beacons : this volume is necessary to ensure the buoyancy and to contain a battery with 48-hour runtime minimum.

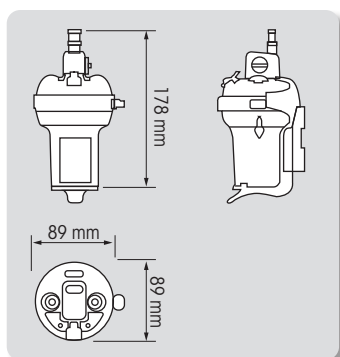
**An EPIRB necessarily requires a coding process that links the beacon to a specific vessel : entering the MMSI number provides vessel identification when the EPIRB transmits.**

An EPIRB incorporates a GPS which allows precise pinpointing. When activated, the beacon sends a distress signal with position and MMSI number to a ground station on **406 MHz frequency**, using the worldwide COSPAS-SARSAT constellation. It also features the **121.5 MHz homing signal** to help rescuers find you.

As coverage is worldwide, the distress signal can be transmitted from absolutely anywhere around the world.

## Ocean Signal EPIRB1 67775

- Built-in GPS.
- Manual or water activated.
- MEOSAR\* compatible (see page 14).
- 48-hour operational time.
- Lithium battery with 10-year replacement life, replaceable by a professional.
- Self-test button (test recommended once a year).
- **Quick release bracket.**
- **Retractable antenna.**
- **SOLAS approved.**
- Weight : only 422 g.



**5** year  
Warranty



**Compact and lightweight :**  
178 x 89 mm (H x Ø),  
only 422 g.



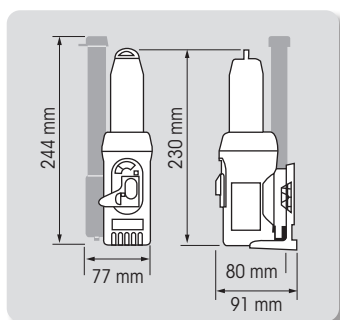
## SART S100 transponder 67780

9 GHz X-band radar transponder designed to assist rescue operations of ships in the most challenging conditions.

For rescue crafts and lifeboats :  
SOLAS approved + IMO and GMDSS compliant.

- **12-hour operational time when activated,** even after 96 hours' stand-by.
- 10 m waterproof rating.
- **Lithium battery with 5-year replacement life, user-replaceable.**
- Visual indication of operations and status.
- Weight : 440 g.

Comes complete with wallmount holder and telescopic pole.



**5** year  
Warranty



**Compact and lightweight :**  
227 x 82 mm (H x Ø),  
only 440 g.



### Operation principle :

Once activated and when a radar signal is received from a ship or aircraft, the S100 transponder automatically transmits a response signal which clearly identifies the lifeboat on the radar screen with a 12-point display. The S100 transponder remains in stand-by mode for over 96 hours and will automatically start transmitting upon receipt of a radar signal.



# PLB's : Personal Locator Beacons



PLBs feature serialised programming by default. When buying a new beacon, you will have to register it with the relevant national authorities of the country for which the PLB was originally serial coded.

**5** year  
Warranty

Recommended in your lifejacket and your grab bag.



67783



67784



## ResQLink View PLB 67784

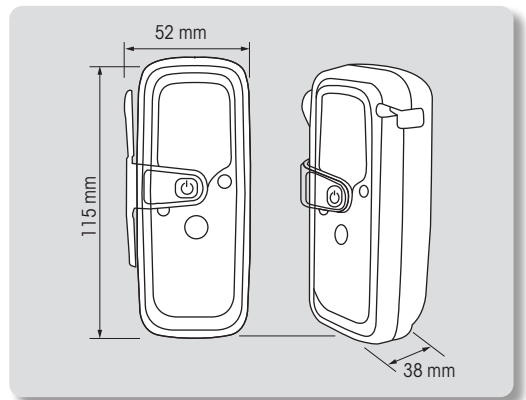
Same performance as ResQLink, with additional features :

- Digital display (GPS data and beacon status).
- Operational life : 28 hours.

## ResQLink 400 PLB 67783

Buoyant personal beacon equipped with a multifunction clip, a strobe light and an infrared light.

- GNSS\* receiver (GPS & Galileo).
- MEOSAR\*\* compatible.
- Operational life : 24 hours (28 hours for ResQLink View).
- **5-year lithium battery.**
- Autotest button (test recommended once a year).
- **Multi-function clip system included** : attachment to lifejacket oral inflation tube, on strap...
- **Buoyant.**
- Strobe light and **infrared strobe.**
- Waterproof rating : 5 m.



### \* GNSS receiver

(Global Navigation Satellite System) : Global system of satellite navigation. A GNSS beacon acquires its position using all the satellite constellations : American (GPS), European (Galileo), Russian (Glonass) and Chinese (Beidou). A non-GNSS beacon acquires its fix only from the American GPS system. A GNSS beacon offers a more precision position and a shorter acquisition time.

### \*\* MEOSAR compatible beacon

(Medium Earth Orbiting Search And Rescue) : Communication system under deployment progress on middle altitude orbiting satellites (GPS, Galileo). By using a large number of satellites, it offers a more instantaneous signal detection and transmission to ground stations : beacon can be located within 5 minutes of the distress signal vs. up to 50 minutes previously (maximum time between 2 satellites above the distress spot). MEOSAR will eventually enable casualties to be informed that the distress signal sent has indeed been received by a ground station.

## What you should know about PLB's :

With a compact format, the Personal Locator Beacon is the sailor's companion, always close at hand in the lifejacket, in the jacket pocket or in the grab bag. It offers a 24-hour operation lifetime. It contains a GPS and is identified by a specific code. When the beacon is activated, the code is transmitted together with the GPS position on **406 MHz frequency** to a ground station, using the worldwide coverage COSPAS-SARSAT constellation.

Just like an EPIRB, a PLB also transmits the **121.5 MHz homing signal** that enables the search and rescue forces to pinpoint your location. **You are required to register your PLB with your local authority.**

Recommended in your lifejacket and your grab bag.



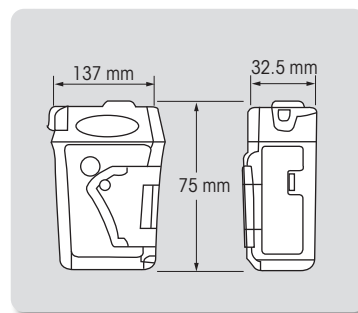
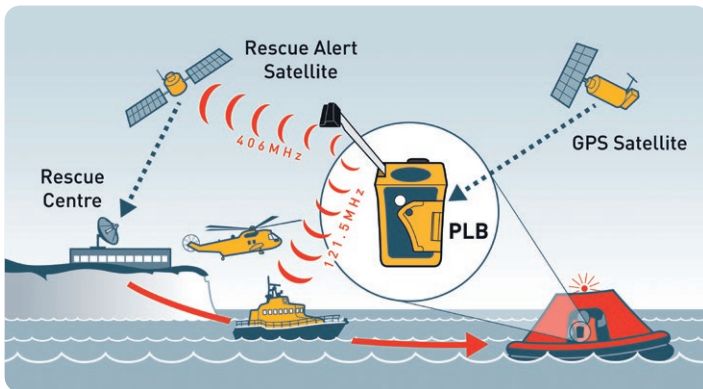
### PLB1 personal locator beacon 67779

- MEOSAR compatible (see page 16).
- Operational life : 24 hours.
- **7-year lithium battery.**
- Autotest button (test recommended once a year).
- Clip to attach to lifejacket oral inflation tube.
- Retractable antenna.
- Waterproof rating : 15 m.



**7** year  
Warranty

The most compact and lightweight PLB : only 116 g.



### Personal AIS beacon MOB 1 67778

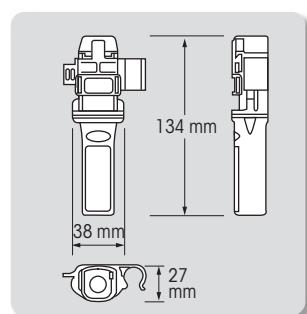
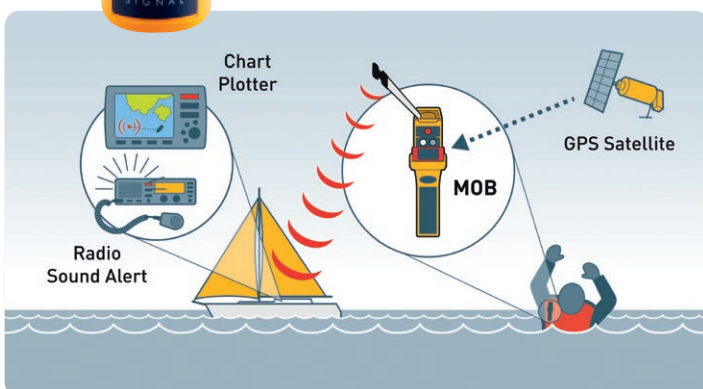
- AIS function (beacon identified with 9-digit code 972...).
- **DSC\* function : sends a distress signal to your boat and to all AIS equipped boats around.** (\*provided MMSI has been programmed in the beacon).
- Built-in strobe light.
- Retractable antenna (key included).
- Operational life : 24 hours minimum.
- **7-year lithium battery.**
- Autotest button (test recommended once a year).
- Automatic activation possible (upon lifejacket inflation).
- Cylindrical shape, easy to integrate in a lifejacket.
- Clip to attach to lifejacket oral inflation tube.
- Waterproof rating : 10 m.



**5** year  
Warranty



The most compact and lightweight AIS beacon : 134 mm high and only 92 g.





# Drysuits

Safety begins with the protection of the sailor, with equipment that keeps him warm and dry in order to be focused on the right action at the right time. To meet the needs of foilers and sportsboats, Plastimo has selected Typhoon, the reference in personal protection.

- 4 models including 1 Junior : waterproof and breathable, YKK® aquaseal con zip.
- Adapted to the majority of practices : sailing, catamaran, kayak, white water...
- 1 Ezeedon model also available in Women fit.



**TYPHOON**



Hinge entry.

## PS440 Hinge entry suit

Flagship drysuit : cutting edge zip off storm collar system, splash proof map pocket and attachment patch on sleeve.

A favourite for lots of practices.

- Glideskin Neoprene neck and cuff seals.
- Ergonomic adjustable hood.
- SOLAS reflective tape across shoulders.
- Cordura reinforced seat and knee pads.
- Removable neoprene seat inserts.
- YKK® aquaseal con zip.
- Fabric socks.
- Articulated for ease of movement.
- Can be weared with boots.
- D ring and elastic hoop inside pockets.
- Internal braces with Neoprene over shoulders.

**Colours : Red and black.**  
Changing mat bag included.



Storm collar and hood fleece.

Sizes	XS	S	SM	M	MB	LM	L	LB	XL	XXL
Ref.	<b>67959</b>	<b>67960</b>	<b>67961</b>	<b>67962</b>	<b>67967</b>	<b>67963</b>	<b>67964</b>	<b>67968</b>	<b>67965</b>	<b>67966</b>
Height (cm / inches)	165 / 5'4"	170 / 5'6"	173 / 5'8"	178 / 6'0"	178 / 6'0"	178 / 6'0"	188 / 6'2"	188 / 6'2"	193 / 6'4"	198 / 6'6"
Chest (cm / inches)	86 / 34"	91 / 36"	96 / 38"	102 / 40"	117 / 46"	107 / 42"	112 / 44"	122 / 48"	117 / 46"	122 / 48"



Dry during competition, maintenance and inspection of the hull.

Boris Réjou - Moteur Boat Magazine ©

### Max B Front entry suit

A class leader for over 20 years : offers the wearer a high performance, robust drysuit with comfortable front entry system.

- Fleece lined storm collar.
- Adjustable internal braces.
- Cordura reinforced seat and knee pads.
- Removable neoprene seat inserts.
- YKK® aquaseal con zip.
- Fabric socks.
  - Can be weared with boots.
  - Articulated for ease of movement.

**Colours : Black and red.**  
Changing mat bag included.



Front entry, double YKK® aquaseal zip.



Glideskin Neoprene neck and cuff seals.

Sizes	S	SM	M	MB	LM	L	LB	XL	XXL
Ref.	<b>67930</b>	<b>67931</b>	<b>67932</b>	<b>67937</b>	<b>67933</b>	<b>67934</b>	<b>67938</b>	<b>67935</b>	<b>67936</b>
Height (cm / inches)	170 / 5'6"	173 / 5'8"	178 / 6'0"	178 / 6'0"	178 / 6'0"	188 / 6'2"	188 / 6'2"	193 / 6'4"	198 / 6'6"
Chest (cm / inches)	91 / 36"	96 / 38"	102 / 40"	117 / 46"	107 / 42"	112 / 44"	122 / 48"	117 / 46"	122 / 48"



Glideskin neoprene neck.



### Rookie Junior drysuit Back entry

Perfect entry level junior drysuit : keep the wearer warm and dry with featuring articulation for ease of movement.

- Glideskin neoprene neck and cuff seals.
- Elasticated back waist.
- Internal adjustable braces.
- Reinforced knees.

**Colours : Black and orange.**



Latex socks.

Sizes	Junior S	Junior M	Junior L/XL
Ref.	<b>67939</b>	<b>68784</b>	<b>67941</b>
Height (cm / inches)	135 / 4'5"	145 / 4'9"	158 / 5'2"
Chest (cm / inches)	69 / 27"	76 / 30"	81 / 32"





**Ezeedon 4 Women drysuit**  
**Front entry suit**

Available in woman fit with adjustable elasticated back waist.

Sizes	S	SR	SM	M	LM	LR	L
Ref.	<b>67952</b>	<b>67957</b>	<b>67953</b>	<b>67954</b>	<b>67955</b>	<b>67958</b>	<b>67956</b>
Height (cm/inches)	157/5'2"	163/5'4"	163/5'4"	168/5'6"	173/5'8"	173/5'8"	178/5'10"
Chest (cm/inches)	86/34"	91/36"	107/42"	96/38"	102/40"	117/46"	107/42"

**Ezeedon 4 Men drysuit**  
**Front entry suit**

Men's dry suit that combines mobility and comfort : one of the lightest suits to wear, articulated throughout and the easiest to put on. Can be used for both kayaking and jet skiing.

Perfect for all your water sports needs.

- Front entry diagonal YKK® aquaseal zip with zipped cover.
- Glideskin neoprene neck and cuff seals.
- Elasticated back waist.
- Internal braces.
- PU reinforced knees and seat.
- Fabric socks.
- Articulated for ease of movement.

**Colour : Black.**



Double YKK® aquaseal zip.



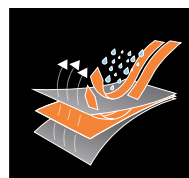
Clear waterproof zip pocket.

Sizes	XS	S	SM	M	MB	LM	L	LB	XL	XXL
Ref.	<b>67942</b>	<b>67943</b>	<b>67944</b>	<b>67945</b>	<b>67950</b>	<b>67946</b>	<b>67947</b>	<b>67951</b>	<b>67948</b>	<b>67949</b>
Height (cm / inches)	165 / 5'4"	170 / 5'6"	173 / 5'8"	178 / 6'0"	178 / 6'0"	178 / 6'0"	188 / 6'2"	188 / 6'2"	193 / 6'4"	198 / 6'6"
Chest (cm / inches)	86 / 34"	91 / 36"	96 / 38"	102 / 40"	117 / 46"	107 / 42"	112 / 44"	122 / 48"	117 / 46"	122 / 48"

# Activ' waterproof protection

## 100% waterproof

Breathable & wind-cheater.  
Seamless.  
8 000 mm waterproof membrane.  
10 000 g/m<sup>2</sup> breathable membrane.



### Activ' beanie hat

**67410**

100% waterproof, warm, breathable and wind cheater beanie hat.

One size fits all.

- Outer shell : 100 % acrylic.
- Inner shell : 100 % microfleece.



Th. Deregnieaux ©

Stan Thuret on Figaro Beneteau 3 Everal.

### Activ' Coolmax® socks

100% waterproof, breathable and windproof socks. Coolmax® specific knit technology provides a very quick drying capacity.

- Outer shell : 98 % nylon, 2 % elastane.
- Inner shell : 70 % Coolmax®, 30 % nylon.
- Available in high and mid versions.

Height	Height		Size	Foot (cm)	EURO	USA	UK	Height (cm) High / Mid
	High	Mid						
<b>68913</b>	<b>67399</b>	S	22-24	36-38	4-6	3-5	33/18	
<b>68914</b>	<b>67400</b>	M	24-26	39-42	6.5-9	6-8	34/19	
<b>68915</b>	<b>67401</b>	L	26-28	43-46	9.5-12	9-11	39/23	
<b>68916</b>	<b>67402</b>	XL	28-30	47-49	12.5-14.5	12-14	40/24	



Breathable and anti-microbial, **the merino wool** regulates the heat. It reduces odours and absorbs humidity, providing a dry cosy feeling during effort.



### Activ' merino socks

- Outer shell : 98% nylon, 2% elastane.
- Inner shell : 40% merino wool, 40% acrylic, 20% nylon.
- Available in high and mid versions.

Height	Height		Size	Foot (cm)	EURO	USA	UK	Height (cm) High / Mid
	High	Mid						
<b>68917</b>	<b>67403</b>	S	22-24	36-38	4-6	3-5	33/23	
<b>68918</b>	<b>67404</b>	M	24-26	39-42	6.5-9	6-8	34/24	
<b>68919</b>	<b>67405</b>	L	26-28	43-46	9.5-12	9-11	39/29	
<b>68920</b>	<b>67406</b>	XL	28-30	47-49	12.5-14.5	12-14	40/30	

### Activ' merino gloves

Two screen-sensitive fingers. Anti-slip on hand palm.

- Outer shell : 84% nylon, 16% elastane.
- Inner shell : 40% merino wool, 40% nylon, 18% polyamide, 2% elastane.



Ref.	Size
<b>67407</b>	S
<b>67408</b>	M
<b>67409</b>	L
<b>67707</b>	XL





# Shoes

Quality, comfort and durability : our selection of the best materials and quality construction guarantees optimal comfort and increased durability. To enjoy your sailing whatever the weather conditions.



Men models



Women models

## Crew shoes

The traditional flexible pull up kip leather deck shoe.

- High colour fastness.
- All materials are water resistant.
- Flexible and nonslip TR\* and rubber double sole with Blake sewing.
- Ergonomic and comfortable insole offering increased thermal insulation.
- Leather lace.

\*Thermoplastic Rubber

	MEN	
EURO size	Navy blue leather	Brown leather
40	<b>67445</b>	<b>67452</b>
41	<b>67446</b>	<b>67453</b>
42	<b>67447</b>	<b>67454</b>
43	<b>67448</b>	<b>67455</b>
44	<b>67449</b>	<b>67456</b>
45	<b>67450</b>	<b>67457</b>
46	<b>67451</b>	<b>67458</b>

	WOMEN	
EURO size	Nubuck blue leather	Navy blue leather
36	<b>67459</b>	<b>67465</b>
37	<b>67460</b>	<b>67466</b>
38	<b>67461</b>	<b>67467</b>
39	<b>67462</b>	<b>67468</b>
40	<b>67463</b>	<b>67469</b>
41	<b>67464</b>	<b>67470</b>



## Sport shoes

The ultimate generation of moccasin engineered with the technology and comfort of sport shoes.

- Flexible pull up kip leather with lateral mesh for increased breathability.
- Kip leather lining.
- Shock-resistant insole with antibacterial lining fabric.
- Extremely flexible 100% rubber sole with high lateral stability and drainage channels : for outstanding grip on wet decks.
- Highly resistant lateral sewing and nylon lace.

EURO size	Brown leather	Nubuck navy blue/red leather
40	<b>53965</b>	<b>67471</b>
41	<b>53966</b>	<b>67472</b>
42	<b>53967</b>	<b>67473</b>
43	<b>53968</b>	<b>67474</b>
44	<b>53969</b>	<b>67475</b>
45	<b>53970</b>	<b>67476</b>
46	<b>53971</b>	<b>67477</b>

## Size equivalence

	MEN		WOMEN	
EURO	US	UK	US	UK
36	-	-	5	3.5
37	-	-	6	4.5
38	-	-	6.5	5
39	-	-	7.5	6
40	8	6.5	8	6.5
41	9	7.5	9	7.5
42	9.5	8	-	-
43	10.5	9	-	-
44	11	9.5	-	-
45	12	10.5	-	-
46	12.5	11	-	-

# Waterproof bags

Plastimo revamps its O'Wave waterproof bags with the addition of a heather grey colourway, twisted with vibrant neon details for functionality and style.

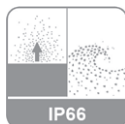
IP66 protection rated thanks to double coated polyester fabric, with a textile look and feel that gives an extra touch of elegance.

- Material : Tarpaulin 500D.
- Polyester fabric 500 g/m<sup>2</sup> with double coating.
- Very heavy duty for durability.
- Colour : heather grey.



Jean-Marie Lot ©

## Reinforced backpack 67365

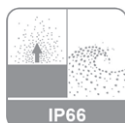


Waist belt. Reinforced back and straps. Zipped IP64 pocket on the front. Inside pocket for tablet. Waterproof seal by rolling (3 times) and clip fastener.

- Capacity : 38 L (indicative volume).
- Dimensions : 72 x Ø 24 cm.
- Weight : 630 g.



## Backpack with valve 68941

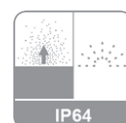


Reinforced back and straps. The valve allows to inflate the bag to make it buoyant or evacuate air trapped to optimize the volume of the bag in relation to its contents. Waterproof seal by rolling (3 times) and clip fastener.

- Capacity : 30 L (indicative volume).
- Dimensions : 68 x Ø 25.5 cm.
- Weight : 680 g.



## Duffel bag 68942



Two large reinforced carrying handles. Adjustable removable shoulder strap. Lengthwise closing.

- Capacity : 25 L (indicative volume).
- Dimensions : 47 x Ø 25 cm.
- Weight : 455 g.





# Sunglasses



High quality polycarbonate lenses with **polarized technology** to reduce glare on the water surface.  
Top visual clarity with no image distortion.

Rectangular lightweight frames are ideal for boating and water activities.

- Sun protection category 3.
- Protect from 100 % UVA, AVB and AVC.



Sunglasses supplied with fabric pouch, protective case and cleaning cloth.



## Aldabra

- Matt blue - lime rubber inserts : **2421590**
- Glossy black / blue - Red rubber inserts : **2421591**
- Titanium grey - Green rubber inserts : **2421592**



2421590



2421591



2421592

## Marutea

- Navy blue : **67391**



67391

## Mataiva

Women model.

- Tortoiseshell : **67393**
- Brown : **67392**



67393



67392

## Taenga

- Wood, mirror coating : **67394**
- Brown : **67395**



67394



67395

## Timoe

Teenage model.

- Orange, mirror coating : **67396**



67396

## Hao

Child model.

- Blue : **67398**
- Pink : **67397**



67398



67397

# Eyes cords



Chums offers a wide range of lightweight and practical eyeglass cords, floating key rings and a floating wallet.  
Batch selling for professional : 6.



2311016



2311121



2311204



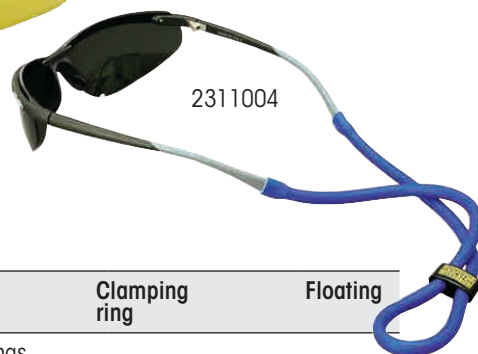
2312009



2312006



2312005



2311004

Ref.	Designation	Description	Clamping ring	Floating
<b>2311016</b>	<b>Tech cord</b>	Translucent plastic eyeglass cord. Fastening rings on the arms.	-	-
<b>2311121</b>	<b>Rope slip fit</b>	Mini halyard, fastening moulded rings on the arms.	✓	-
<b>2311004</b>	<b>Halfpipe</b>	Latex eyeglass, fastening rings on the end of the arms.	✓	-
<b>2311204</b>	<b>Fish Tip</b>	Mini halyard. Fastening "fishing" rings on the end of the arms.	✓	-
<b>2312009</b>	<b>Glassfloat classic</b>	Jersey tube with foam padding. Fastening rings on the arms.	✓	✓
<b>2312006</b>	<b>Powercord glassfloat</b>	Mini halyard with float. Fastening latex rings on the end of the arms.	✓	✓
<b>2312005</b>	<b>Floating neo</b>	Neoprene tube with foam padding.	-	✓



**Floating key ring**  
**2313001**

Latex and foam. Worn on the wrist.  
Buoyancy\* : 28 g.



**Neoprene floating key ring**  
**2313013**

Neoprene and foam.  
Buoyancy\* : 40 g.



**Floating wallet**  
**2313009**

Floating wallet with key ring.  
Buoyancy\* : 75 g.



**Cap retainer**  
**2313007**

Lightweight braided cord, tough bulldog clips hold fast.



\*Average weight by type of keys : car 15 g, boat or motor 10 g, padlock 8 g.



# Knives & tools



## Safe Black multi-tool 67425

Black anodized aluminum multi-tool knife (18 tools) with safety locking : plain blade, serrated blade, saw, pliers, file, spike, bottle opener, can opener.

Comes with 3 sizes flat screwdriver, 3 sizes Phillips screwdriver, 3 sizes allen key screwdriver.

Description	Safe Black multi-tool	Safe Wood multi-tool
Ref.	<b>67425</b>	<b>67426</b>
Blades	1 plain – 1 serrated	1 plain – 1 serrated
Folding stainless steel blade	✓	✓
Splicing spike	✓	✓
Bottle opener	✓	✓
Open length	16.5 cm	16 cm
Closed length	10.5 cm	10 cm
Primary blade length	5.5 cm	5.5 cm
Weight	300 g	247 g
Handle colour	Black	Wood
Sheath	Rigid, nylon with belt loop	



## Safe Wood multi-tool 67426

Wood coated anodized aluminium knife (10 tools) with safety locking : plain blade, serrated blade, saw, pliers, file, spike, bottle opener, can opener, flat screwdriver.



## Safe Blue knife 67427

All-rounder marine knife with safety locking. Anodized blue aluminium handle with soft grip.

- Plain blade, serrated blade.
- Folding stainless steel blade.
- Unfolded knife length : 17.5 cm.
- Folded knife length : 10.5 cm.
- Blade length : 7 cm.
- Weight : 80 g.
- Handle color : blue & black.
- Sheath : Nylon with belt loop.



## Skeletool® multi-tool 2392956

Multi-tool with 7 tools, offering just the essential of indispensable functions in a **lightweight** tool : only 142 g. **The Leatherman quality with minimum weight and reduced bulk.** Stainless steel body, 6061-T6 grade aluminium handles.

Stainless steel plain blade, pliers, adapter for function-fittings and carbine hook/bottle opener. Easily clipped on belt or jacket, no need for a sheath.

- Length : 10 cm
- Blade length : 6.6 cm
- Weight : 142 g



## Wave +® multi-tool

**2392078**

**Wave+** is the Leatherman must-have, the most popular and universal unit with **18 tools**.

Rounded handles also make it the most comfortable pliers and knife to hold.

Can be opened and operated with one hand.

Outside accessible features while the tool is in closed position.

7 extra function features inside the tool.

Very handy : every tool feature opens independently from others.

All blades and tools on the handle body lock into place to ensure a safe operation. Once the job is finished, just unlock with your thumb in order to fold the tool and stow it away.

**Functions :** knife with plain blade + serrated blade, screwdrivers, wire cutters, various pliers, electrical crimper, wire stripper, spring-action scissors, 19 cm ruler, wood/metal file, diamond-coated file, adaptor for fittings, bottle opener, can opener...

420 C stainless steel construction.

Pack includes nylon sheath and adaptor for removable fittings.

- Closed length : 10 cm.
- Primary blade length : 7.3 cm.
- Weight : 241 g.

## Charge TTI +® multi-tool

**2392731**

**The professionals' favourite :** the most polyvalent multi-tool with **19 tools**.

With Charge TTI+, you are sure to have the right equipment for all jobs big and small.

**Titanium handles make the tool extremely strong, lightweight** and corrosion resistant.

Can be opened and operated with one hand.

Outside accessible features while the tool is in closed position.

Very handy : every tool feature opens independently from others.

All blades and tools on the handle body lock into place to ensure a safe operation. Once the job is finished, just unlock with your thumb in order to fold the tool and stow it away.

**Functions :** knife with plain blade + serrated blade (including a very sharp S30V® blade), screwdrivers, wire cutters, various pliers, electrical crimper, wire stripper, spring-action scissors, 19 cm ruler, wood/metal file, diamond-coated file, adaptor for fittings, bottle opener, can opener...

Titanium handles + stainless steel body and blades.

Pack includes nylon sheath and adaptor for removable fittings.

- Closed length : 10 cm.
- Primary blade length : 7.4 cm.
- Weight : 252 g.



## Sidekick® multi-tool

**2392438**

**14-tool unit**, perfect for all daily life circumstances and for all budgets.

A great choice for first-time users.

Can be opened and operated with one hand, rounded handles for extra comfort.

Outside accessible features while the tool is in closed position.

Very handy : every tool feature opens independently from others.

All blades and tools on the handle body lock into place to ensure a safe operation. Once the job is finished, just unlock with your thumb in order to fold the tool and stow it away.

**Functions :** knife with plain blade + serrated blade, screwdrivers, wire cutters, various pliers, electrical crimper, wire stripper, 3.8 cm ruler, wood/metal file, bottle opener, can opener...

HC 420 stainless steel construction.

Pack includes nylon sheath.

- Closed length : 10 cm.
- Primary blade length : 6.6 cm.
- Weight : 191 g.



## Rev® multi-tool

**2392130**

**The essential 14 tools :**  
**Leatherman quality at the best price.**

Can be opened and operated with one hand. Outside accessible features while the tool is in closed position.

**Functions :** knife with plain blade in 420 HC steel, package opener, screwdriver, wire cutters, pliers, wire stripper, 3.8 cm ruler, wood/metal file, bottle opener, can opener...

Stainless steel construction.

Comes on its own (no sheath included).

- Closed length : 10 cm.
- Primary blade length : 6.6 cm.
- Weight : 168 g.



# Portable lighting

## Headlights



Smart and powerful, every Plastimo headlight and torch is designed to meet your needs when touring outdoor, manoeuvring on deck or reading charts at night.



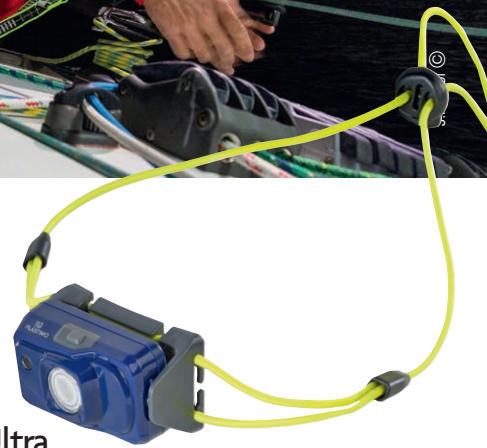
**F4 headlight**  
**67420**

Plastimo headlight with 4 modes. Keep press 2 seconds to reach red light mode. Pivoting head and adjustable head band.



**F9 headlight**  
**67366**

Plastimo headlight with 9 modes. 3 kind of light beams : thin, wide, and red with 3 modes each. Pivoting head and adjustable head band. Integrated SOS whistle on the head band.



**Ultra lightweight headlight**  
**68793**

Plastimo ultralight rechargeable LED headlight. Designed for boating and outdoor activities. Drop resistant. Adjustable lanyard for maximum comfort.

Ref.	Model	Waterproofness	Features	Lumen (ANSI)	Beam distance	Run time	Dimensions	Pivoting head	Weight	Batteries
67420	F4	IPX4	White LED : High / Eco / Flash.	170	100 m	2 h	60 x 40 x 45 mm	45°	57 g without batteries	3 x AAA (included)
			Red LED : Continuous.	80	50 m	5 h				
67366	F9	IPX5	White LED thin light beam : High / Medium / Eco.	210	65 m	3,5 h	70 x 35 x 45 mm	45°	60 g without batteries	3 x AAA (required)
			White LED wide light beam : High / Medium / Eco.	-	-	-				
			Red LED : Continuous / Flash / SOS.	20	5 m	48 h				
68793	Lightweight	IP64	White LED : High / Medium / Eco.	200	42 m	2 h	57 x 30 x 34 mm	360°	41 g battery included	Lithium battery integrated, micro USB rechargeable
			White LED : Medium / Eco.	100	31 m	4 h				
			Red LED :	10	10 m	50 h				
			Red LED : Continuous / Flash.	2	3 m	25 h				
				0	0	120 h				



**Work light**  
**67369**

Spotlight or torch. Magnetic tilt support to stabilize and lean the light. Suspension hook. Magnet on the back.

- 200 lumens (ANSI).
- Beam distance : 30 m.
- Run time : 4 h.

- Independent On/off switch on spotlight or torch.
- Dimensions : 40 x 60 x 220 mm.
- Weight : 170 g without batteries.
- Batteries : 3 x AA (not included).



**Aluminum LED torch**  
**67368**

Compact multi-purpose, powerful torch with 5 modes : High/Medium/Eco/Flash/SOS. Adjustable beam. Strap included.

- High mode : 500 lumens (ANSI) – Beam distance 300 m – Run time 3 h.
- Eco mode : 100 lumens (ANSI) - Beam distance 60 m – Run time 6 h.
- Flash mode : Flash / SOS.
- Dimensions : Ø 33 x 131 mm.
- Weight : 121 g without batteries.
- Batteries : 3 x AAA (not included).



# Torches & searchlight



**LIFETIME**  
Warranty

Ultra-resistant as testified by their LIFETIME WARRANTY, PELI™ torches are designed to withstand the specific harsh conditions of the marine environment, whether recreational or professional.



## LED penlight 67808

In the slimmest and lightweight format, the Peli™ penlight is the brightest ATEX Zone 0 certified torch. Bright yellow polymer casing, antistatic and shockproof.

- Up to 24 m beam distance, 117 Lumen.
- Up to 2h15 runtime.
- ON/OFF : activates with a click of the tail switch for extended use or momentary use.
- Dimensions : 148 x 20 mm (L x Ø).
- Weight : 54 g (including 2 x AA batteries).
- Unbreakable.

Supplied with 2 AA batteries.



### ATEX Zone 0 :

A product certified ATEX Zone 0\* (ATmosphere EXplosive) is intended for use in a location or compartment that presents a permanent or long-lasting risk of explosion or deflagration (more than 1000 hours per year).

The ATEX regulation combines two European directives intended to protect the health and safety of workers operating in explosive areas.

The two Peli™ torches are ideally suitable for professional use in difficult environment, including operations in hazardous areas.

\*Zone 0 : risk related to gas / Zone 20 : risk related to dust.

## X-Spot buoyant spotlight 67367

Very powerful floating spotlight, features a 5000 mAh battery, rechargeable by micro-USB.

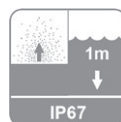
Also works as a powerbank to charge a smartphone or any other micro-USB rechargeable device.

Large handle for a good grip.

Swivelling bracket to hang spotlight according to the light orientation required.

- 5 lighting modes : Powerful beam, Powerful and Broad, Maxi, Eco, Flash (keep button depressed for 2 seconds to switch to flash mode).
- 13 to 905 m beam range, 85 to 1585 Lumen (according to selected mode).
- Run time 2 to 26 hours.
- Battery charging time : 2h30 to 3 hours.
- Also works CR 123 lithium battery (not included).
- Dimensions : 171 x 153 x 103 mm.
- Weight : 717 g (including battery).

Supplied with battery, integrated bracket and carry strap.



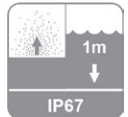
## Rechargeable LED torch 67809



Powered by a 18.650 mAh lithium battery, delivering more than 2000 cycles, i.e. **4 times more than a standard battery**. Very versatile work light in a compact and ergonomic design : bright yellow polymer casing, antistatic and antislip.

- 3 lighting modes : High, Flashing and Eco.
- Up to 108 m beam distance, 132 Lumen.
- Up to 34 hours runtime.
- ON/OFF : power switch also includes a battery level indicator.
- Rechargeable on 220 V (12 V cigarette lighter socket as option).
- ATEX Zone 0 certified.
- Dimensions : 155 x 36 mm (L x Ø).
- Weight : 130 g (including battery).
- Unbreakable.

Supplied with battery and wrist lanyard.



### Option

#### 12 V charger-adapter 57929

12 V adapter to charge on cigarette-lighter socket (approx. 2-3 hours charging). Suitable to charge torch ref. 67809 as well as older model ref. 57928.





# Inflatable gangway



Rigid for comfort and safety, inflatable for easy storage and carrying.

Longer and wider than most traditional rigid gangways, the Plastimo inflatable model is also more versatile : it becomes a swimming platform or a paddle board if you add the fins.

Combining both functions of safety equipment when docking and water fun inflatable board, it adapts to all water crafts that require a gangway.

Comes complete with a carrying bag, two fins, a high pressure pump and a repair kit.

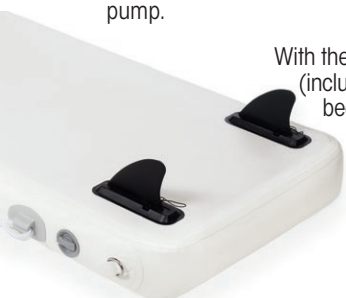


## Inflatable gangway

67153

- Generous dimensions for optimum safety : 70 cm wide vs. 40 cm approx. with most classic rigid gangways. 2.5 m long vs. 2 m to 2.2 m usually with traditional models.
- Maximum capacity / load : 200 kg.
- Anti-slip surface on top.
- Wide rubbing strake.
- 4 stainless steel D rings : one at each angle to secure the board whatever the environment, either as a gangway or as a platform.
- 1 grabline on each side to facilitate boarding.
- Halkey-Roberts type inflation valve.
- Integrated manometer to check pressure instantly :  
Green = gangway can be used safely.  
Red = gangway is under-inflated, pressure must be topped up with high pressure pump.

With the addition of 2 fins (included), the gangway becomes a stand-up paddle.



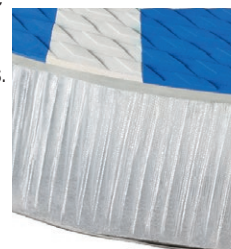
### 1100 decitex PVC + EVA\* deck pad.

- PVC : durability, stiffness when inflated and resistance to pressure.
- EVA : soft feeling and excellent anti-slip performance, even when wet.

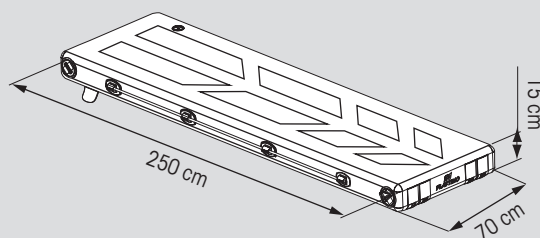
\* Ethylene-Vinyl-Acetate, a highly flexible copolymer, UV-resistant.

### Double stitch construction :

- The inflatable structure is held in shape by a woven-in system of polyester threads that build a very strong connection between the two PVC layers.
- Air provides volume and stiffness, polyester thread-linking guarantees the regular shape of the platform.



Max. pressure : 1 bar, 15 PSI



- Weight : 9 kg (gangway alone).
- Dimensions of folded gangway : 80 x 50 x 35 cm.

## Rack for kayak / SUP / wakeboard

67881



More space on deck thanks to this removable rack designed for kayaks, wake-boards, stand-up paddles...

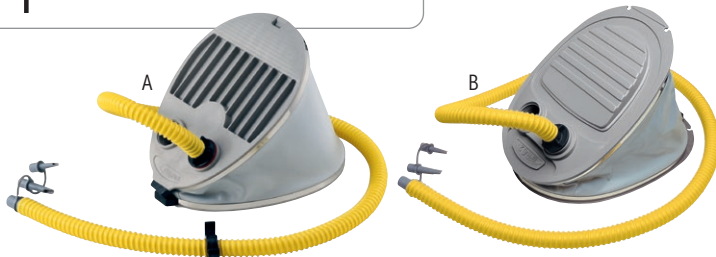
Robust rack in 304 marine grade mirror polished stainless steel construction. Foam padding with heavy duty UV resistant polyester protective cover.

Extremely strong adjustable arms for any size of kayak, stand-up paddle or water toy (holds up to 3 standard SUP's).

- Easy to fix and remove without tools.
- Fits straight and tapered on rails from 22-38 mm diameter.
- Storage width : 50 cm.

# Pumps & inflators

## Foot pumps



Heavy duty foot pumps particularly suitable for synthetic or rubber coated boats and crafts.

- Glassfibre polyamide plates.
- Reinforced fabric coated bellows.
- All metal parts in stainless steel.
- Reinforced hose.
- Universal adaptor.

### Recommended pressure :

- For fenders = 150 to 200 mBar.
- For tender's tube = 300 mBar.
- For inflatable floor = 800 mBar, the correct pressure for required rigidity of the floor and optimum performance of the tender.

Capacity	Ref.	Max. pressure	Dimensions
A 4 L	<b>57713</b>	500 mbar - 7.2 psi	28 x 21 x H 6 cm
B 5 L	<b>10157</b>	400 mbar - 5.8 psi	29 x 21 x H 8 cm



**36900** Spare connector for pumps 57713 & 10157.



## Electric inflator 12 V

**67489**

Suitable to inflate fenders, kitesurfs and SUPs. Powered by cigarette-lighter plug or battery (connectors included).

Stops automatically when selected pressure is reached.

- Voltage 12 V.
- Power consumption : 20 A max.
- Dimensions : 19 x 10 x 13 cm.
- Output 160 L/min.
- Pressure control 1 bar - 14.5 psi max.
- Power 600 W.

Includes storage bag, 1.70 m hose, 3 m cable and 10 nozzle fittings.



## Electric inflator 230 V

**67487**

Suitable to inflate or deflate all inflatable structures. Features a sand filter.

- Voltage 230 V.
- Dimensions : 15 x 16 x 17 cm.
- Weight : 1.3 kg.
- Output 160 L/min.
- Pressure : 175 mbar - 2.5 psi.
- Power 600 W.

Includes a 1.50 m hose and nozzle fittings.

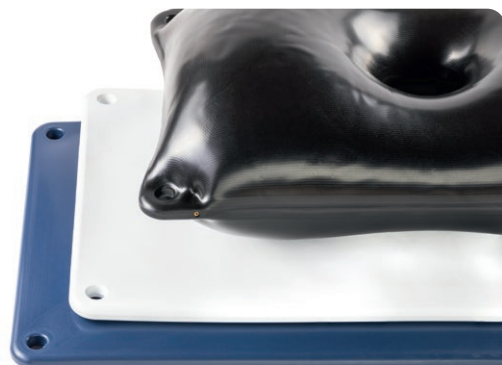
# Fenders

## Inflatable cushion-type fender

- **White : 67788**
- **Black : 67789**
- **Blue : 67790**

Cushion-type shape for a larger protection. Perfectly adapted to the hull curves. Shape and material easy to grip in the event of a man overboard, as an extra safety accessory. Also perfect as a cushion on board, it can be deflated for space-saving when sailing.

- Heavy duty PVC, UV-treated.
- Dimensions : 60 x 40 cm.
- Brass valve.
- Recommended pressure : 0.2 bar - 2.9 psi.



### Accessory

**Connector for brass inflation valve : 67111**



Brass connector for use on fenders. Screw on the fender valve and use a compressor or a bicycle pump to inflate. Check compatible models on [www.plastimo.com](http://www.plastimo.com).



# Heavy duty series

Heavy duty fenders with excellent abrasion and tear resistance. Ideal for superyachts manoeuvring in marinas, barges passing through locks, strong currents areas, or any intensive use.

Suitable for use in temperatures from -20°C to +60°C.



## Long fenders, F series

Max. boat length	Type	White with blue eyes	Blue with blue eyes	Ø cm	cm	cm	Weight kg	Volume L
5 m	F01 S	<b>62123</b>	<b>62124</b>	13	37	1.8	0.6	3
	F01 M	<b>62125</b>	<b>62126</b>	13	46.5	1.8	0.7	4
	F01 L	<b>54678</b>	<b>54679</b>	13	56	1.8	0.9	5
7 m	F02	<b>54682</b>	<b>54683</b>	19	66	2.2	1.5	15
	F1	<b>54680</b>	<b>54681</b>	14.5	61	1.8	1.1	8
9 m	F2	<b>54684</b>	<b>54685</b>	21.5	61	2.2	1.9	16
	F3	<b>54686</b>	<b>54687</b>	21.5	74.5	2.2	2.1	22
	F4	<b>54688</b>	<b>54689</b>	21.5	105	2.2	3.1	35
14 m	F5	<b>54690</b>	<b>54691</b>	29	77	2.4	3.1	40
	F6	<b>54692</b>	<b>54693</b>	29	109.5	2.4	4.6	70
18 m	F7	<b>54694</b>	<b>54695</b>	37.5	93	2.4	6.2	95
	F8	<b>54696</b>	<b>54697</b>	37.5	147.5	2.4	7	150
> 18 m	F11	<b>54698</b>	<b>54699</b>	60	145.5	3.5	11.5	310
	F13	<b>54700</b>	<b>54701</b>	80	195	4	24	750

## Spherical fenders, A series

Max. boat length	Type	White with blue eye	Red with blue eye	Blue with blue eye	Ø cm	cm	cm	Weight kg	Volume L
4 m	A0	<b>66125</b>	<b>54703</b>	-	21	28	2.2	0.6	6
5 m	A1	<b>54704</b>	<b>54705</b>	<b>65093</b>	30	38	2.2	1.15	13
7 m	A2	<b>54706</b>	<b>54707</b>	<b>65094</b>	39	50	2.5	2.1	32
9 m	A3	<b>54708</b>	<b>54709</b>	<b>65095</b>	46	58	2.8	3.1	52
14 m	A4	<b>54710</b>	<b>54711</b>	<b>65096</b>	55	77	2.8	4.1	90
16 m	A5	<b>54712</b>	<b>54713</b>	-	71	94	2.8	8.3	215
18 m	A6	<b>54714</b>	<b>54715</b>	-	85	112	3.5	11.3	405
> 18 m	A7	<b>54716</b>	<b>54717</b>	-	110	142	6	21	670

From 21 to 110 cm diameter

### Accessory



#### Valve adapter : 68785

Plastic adapter, helps screwing and unscrewing easily the valve cap of Polyform fenders.

## Long fenders, G series

Blow moulded PVC, suitable as lightweight utility fenders for use on small and medium size pleasure crafts. Ribbed along the length.

Type	White	Blue	Ø cm	cm	cm	Weight kg
G2	<b>64499</b>	<b>66136</b>	11.7	40.7	1.3	0.5
G3	<b>64500</b>	<b>66137</b>	14.5	51.5	1.6	0.8
G4	<b>64501</b>	<b>66138</b>	17	58.5	2	1.1
G5	<b>64502</b>	<b>66139</b>	21.5	70.5	2.2	1.5

# Fenders



## Spherical fender with black eye

Inflatable fender moulded in tough UV-resistant PVC. The solid black eye will accommodate rope or shackles, and cannot pull-through under stress.

### Accessory



#### Connector for brass inflation valve : 67111

Screw on the valve and use a compressor or a bicycle pump.

Suitable for models : Spherical fenders, Parabor models, one-eye fenders (ref. 39624 & 39625), models featured on Page 193 of our catalogue, ARC models (ref. 65560, 65561, 65562) and ladder fender Page 197.

Max. boat length	Yellow	Orange	White	Black				Buoyancy
7 m	<b>39603</b>	<b>39602</b>	<b>39601</b>	<b>67353</b>	35 cm	48 cm	3 cm	21 kg
9 m	<b>39606</b>	<b>39605</b>	<b>39604</b>	<b>67354</b>	45 cm	62 cm	3 cm	45 kg
14 m	<b>39609</b>	<b>39608</b>	<b>39607</b>	<b>67355</b>	55 cm	73 cm	3 cm	83 kg
18 m	<b>39612</b>	<b>39611</b>	<b>39610</b>	<b>67356</b>	65 cm	88 cm	3 cm	138 kg
	<b>39615</b>	<b>39614</b>	<b>39613</b>	<b>67357</b>	85 cm	105 cm	3 cm	310 kg

## Noiseless st. steel mooring spring

For boat	Ref.	Boat's weight	Stock Ø
6 m	<b>67294</b>	5000 kg	5 mm
8 m	<b>67295</b>	6000 kg	6 mm
10 m	<b>67296</b>	8000 kg	7 mm
12 m	<b>67297</b>	10000 kg	9 mm
14 m	<b>67298</b>	12000 kg	11 mm



## Inflatable fenders

Abrasion resistant black polyester cover with polyurethane coating.

- Webbing straps sewn along the fender for increased tear resistance.
- Bottom straps helps using the fender horizontally.

Ref.	Ø	Length	Spare cover
<b>65493</b>	25 cm	50 cm	<b>66906</b>
<b>65494</b>	30 cm	75 cm	<b>66907</b>
<b>65495</b>	35 cm	100 cm	<b>66908</b>
<b>65496</b>	40 cm	120 cm	<b>66909</b>
<b>65497</b>	50 cm	150 cm	<b>66910</b>

# Grade 70 chain & shackle



## Grade 70 HR chain

High resistance calibrated chain for a safer mooring system : same diameter chain is more than twice as strong in grade 70.

Its superior resistance allows you to select a smaller chain diameter and achieve some substantial weight savings as well as reduce the cumbersome volume in the chain locker.

Ideal for :

- a secondary mooring line with the same premium resistance as the main mooring line.
- a very long chain for deep waters.
- a substantial weight gain when racing.
- a better distribution of heavy loads on board.
- an anchor, windlass or buoy marking application.

Ø	Ref.*	Weight/m	Chain pitch	Breaking load G.70	Compared G.40 chain breaking load, same Ø
6 mm	<b>67411</b>	0.820 kg	18	4033 kg	1840 kg
8 mm	<b>67412</b>	1.450 kg	24	7170 kg	3277 kg
10 mm	<b>67413</b>	2.300 kg	30	11200 kg	4928 kg
12 mm	<b>67414</b>	3.300 kg	36	16130 kg	7374 kg
14 mm	<b>67415</b>	4.600 kg	42	21950 kg	10037 kg

\*Chain sold at desired length, exclusively on special order (leadtime 10 days for delivery in France).

### How reduced diameter increases performance

	Increased resistance	Weight saving	Volume saving
Ø 8 standard chain → Ø 6 G.70 chain	+ 18 %	41 %	+ 40 %
Ø 10 standard chain → Ø 8 G.70 chain	+ 26 %	36 %	+ 40 %
Ø 12 standard chain → Ø 10 G.70 chain	+ 33 %	30 %	+ 30 %
Ø 14 standard chain → Ø 12 G.70 chain	+ 36 %	25 %	+ 30 %

## Grade 70 Omega shackle

Ideal when used in conjunction with Grade 70 chain, to obtain a mooring line with no weak point.

Corrosion protected high resistance Grade 70 shackle : guarantees the best resistance of the chain-shackle assembly and also avoids any electrolytic problem.

Unique no sharp edge design fits perfectly into bow rollers and offers a very safe solution.

Suitable for all mooring applications.

Not suitable for lifting applications.



For chain	Ref.*	Internal dimensions (H x W)	Weight	Breaking load
6 mm	<b>67416</b>	48 x 28 mm	0.120 kg	4033 kg
8 mm	<b>67417</b>	49 x 28 mm	0.250 kg	7170 kg
10 mm	<b>67418</b>	60 x 35 mm	0.400 kg	11200 kg
12 mm	<b>67419</b>	72 x 39 mm	0.700 kg	16130 kg

\*Exclusively on special order (leadtime 10 days for delivery in France).

CE  
DIN EN 13889  
G50 CERT RR C271



# Fender profiles



Sphaera mounted on Standard base



Sphaera mounted on Slim base

St. steel profile on Slim base

St. steel profile on Standard base



## Sphaera 25 st. steel fender profiles

316L stainless steel 25 mm wide fender profiles combining excellent resistance to shocks and abrasion with awesome look. Duralene® inner core facilitates bending and guarantees perfect hull-hugging.

Fender profile adapts either on a PVC Slim or Standard base.

	Create your own SPHAERA 25 fender kit	On Slim base	On Standard base
A	<b>Stainless steel Sphaera fender profile, 25 mm wide</b> (6 profiles x 2.60 m)	<b>66190</b>	<b>66190</b>
B-C	<b>White PVC base</b> (16 m roll)	<b>66188</b> (B)	<b>66189</b> (C)
D	<b>Stainless steel junction top cap</b> (x 1 cap)	<b>66191</b>	<b>66191</b>
E-F	<b>Stainless steel end cap</b> (66193 = 1 end-cap / 66192 = 2 end-caps)	<b>66193</b> (E)	<b>66192</b> (F)

### Mounting Sphaera on Slim base :



### Mounting Sphaera on Standard base :



White Radial PVC, 30 mm

Black Radial PVC, 40 mm



## Radial PVC fender profiles

White or black PVC fender profile, 30 or 40 mm wide, mounted on a rigid track.

End caps and junction caps in PVC or stainless steel, for an even more stylish look.

Bends easily and can be cold fitted in seconds.

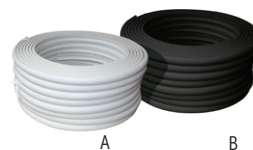
	Create your own RADIAL fender kit	30 mm wide	40 mm wide
	<b>PVC Radial profile</b> (16 m coil)		
A	• White	<b>66195</b>	<b>66201</b>
B	• Black	<b>66196</b>	<b>66202</b>
C	<b>Rigid track</b> (8 tracks x 2 m)	<b>66194</b>	<b>66200</b>
	<b>Junction top cap</b> (x 1)		
D	• White PVC	<b>66199</b>	<b>66199</b>
-	• Black PVC	<b>66227</b>	<b>66227</b>
E	• Stainless steel	-	<b>66206</b>
	<b>Profile end cap</b> (x 1)		
F	• White PVC	<b>66197</b>	<b>66203</b>
-	• Black PVC	<b>66226</b>	<b>66228</b>
G	• Stainless steel	<b>66198</b>	<b>66204</b>

### Mounting a 40 mm Radial fender profile :

- With PVC fittings (black or white)



- With stainless steel fittings



## Bino PVC fender profiles

Extremely flexible PVC fender profiles, hugging the most complex curves of any type of boat : yachts and recreational boats, military and merchant vessels.

Bino fender profile features the same performance and protection quality as the very popular Radial by Tessilmare, with the additional faculty to adapt perfectly to all surfaces and all curves including angles and sharp edges, thanks to its extreme flexibility.

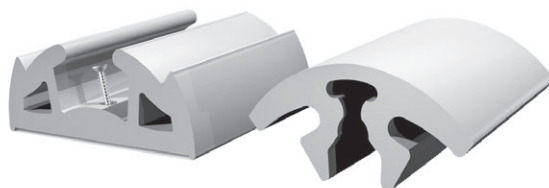
Very quick and easy to install : **equally suitable for retrofit and for OEM new boat construction.**



White Bino, 40 mm



Black Bino, 40 mm



## Patented Bino principle by Tessilmare :

The Bino fender profile is composed of 2 PVC parts, each supplied in 16 m length : so flexible that it is delivered in a coiled reel !  
The lower part is screwed to the dock or boat hull and hugs perfectly the surface.

The top part is simply pushed and slotted into the lower part. Once snapped together, they form a very efficient 24 mm thick antishock bumper.

Create your own BINO fender kit		40 mm wide
PVC Bino fender profile (16 m coil)		
A	• White	<b>69042</b>
	• Black	<b>69043</b>
B	St. steel junction top cap (x 1)	<b>66206</b>
C	St. steel end cap (x 1)	<b>66204</b>

### Mounting a 40 mm Bino fender profile :

- PVC profile with stainless steel fittings



66204 St. steel end cap



69042 White PVC profile  
69043 Black PVC profile



66206 St. steel junction cap



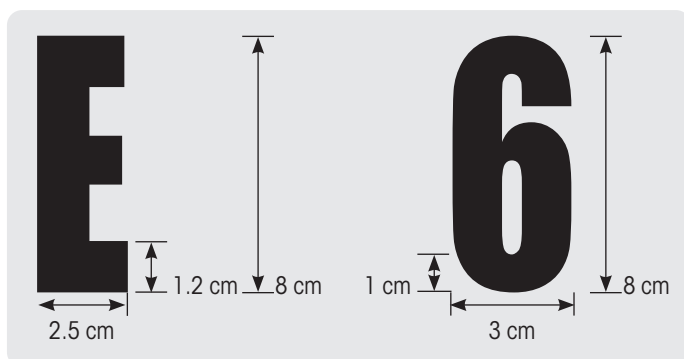
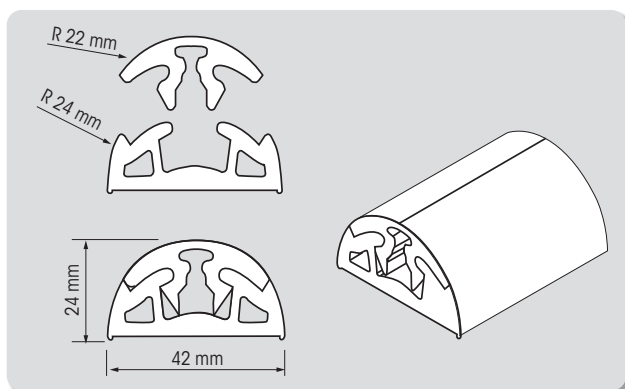
69042 White PVC profile  
69043 Black PVC profile



66204 St. steel end cap



Supplied in 16 m reels.



## Letters and figures registration kit

• White : **67299**

• Black : **67300**

144 adhesive letters and figures. Strong resistant vinyl. Kit includes 4 units of each letter and figure. Meets USCG guidelines.



# Yacht tenders

Polyester V-type rigid hull tender : combining fast cruising and optimum safety. Also ideal on davits.

## PVC - Aluminium hull

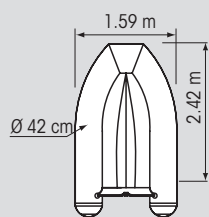
**4** year  
Warranty



PVC  
1100 Decitex

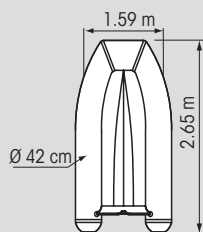
ALUMX-270/ORABS

ISO CD 6185



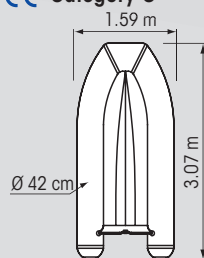
ALUMX-240/ORABS

CE Category C



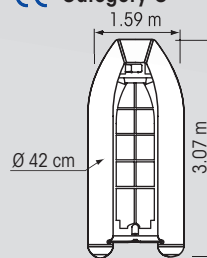
ALUMX-270/ORABS

CE Category C



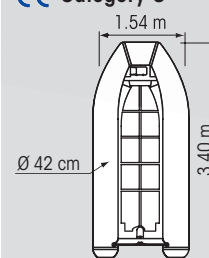
ALUMX-310/ORABS

CE Category C



ALUMX-310/ORABD

CE Category C



ALUMX-340/ORABD

Model	SINGLE-SKIN			DOUBLE-SKIN	
	ALUMX-240/ORABS	ALUMX-270/ORABS	ALUMX-310/ORABS	ALUMX-310/ORABD	ALUMX-340/ORABD
Reference	<b>66094</b>	<b>66095</b>	<b>66096</b>	<b>66097</b>	<b>66098</b>
Max. number of persons					
Maximum load	380 kg	425 kg	495 kg	495 kg	550 kg
Overall dimensions	242 x 159 x 72 cm	265 x 159 x 72 cm	307 x 159 x 72 cm	307 x 159 x 72 cm	340 x 154 x 73 cm
Weight	36 kg	39.5 kg	48.5 kg	55 kg	64.5 kg
Maximum power	3.7 kW (5 HP)	7.4 kW (10 HP)	14.7 kW (20 HP)	14.7 kW (20 HP)	14.7 kW (20 HP)
Floor	Aluminium, V-shape and non-skid			Aluminium, flate and non skid	
Hull	Alu single-skin V-shape (2.5 mm), with ridges		Alu single-skin V-shape (3 mm), with ridges	Alu double-skin V-shape (2.5 mm), with ridges	
Tube diameter	42 cm	42 cm	42 cm	42 cm	42 cm
Number of air chambers	3	3	3	3	3
Seat	Aluminium seat, supplied as standard				
D-towing ring	1	1	1	1	1
Lifting eyebolts for davits	3	3	3	3	3
Front carrying handles	1	1	1	1	1
Rear carrying handles	2	2	2	2	2
Storage locker with latch	No	No	No	Yes	Yes
Equipment included	Straps for fuel tank, valise with 3 carrying handles, repair kit, bellows pump, 2 paddles				

# Yacht Hp tenders

Hypalon tenders : heavy duty Orca® fabric, ideal for intensive use or in tropical environment.

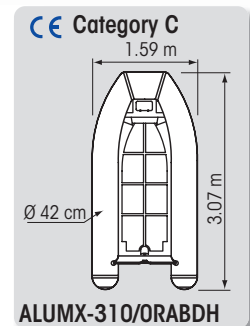
## Hypalon - Aluminium hull

**4** year  
Warranty

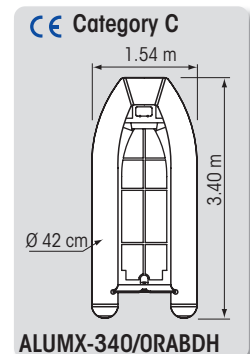


ALUMX-310/ORABDH

Model	DOUBLES-SKIN	
	ALUMX-310/ORABDH	ALUMX-340/ORABDH
Reference	<b>66102</b>	<b>66103</b>
Max. number of persons		
Maximum load	495 kg	550 kg
Overall dimensions	307 x 159 x 69 cm	340 x 154 x 73 cm
Weight	55 kg	60 kg
Maximum power	14.7 kW (20 HP)	14.7 kW (20 HP)
Floor	Aluminium, flat and non-skid	
Hull	Aluminium double-skin V-shape (2.5 mm), with ridges	
Tube diameter	42 cm	42 cm
Number of air chambers	3	3
Seat	Aluminium seat, supplied as standard	
D-towing ring	1	1
Lifting eyebolts for davits	3	3
Front carrying handles	1	1
Rear carrying handles	2	2
Storage locker with latch	Yes	Yes
Equipment included	Straps for fuel tank, valise with 3 carrying handles, repair kit, bellows pump, 2 paddles	



ALUMX-310/ORABDH



ALUMX-340/ORABDH



Bow locker.



Drain plug.



Aluminium V-shape hull with keelshield on PVC and Hypalon models.



# Tender + motor package

Plastimo teams up with Suzuki and offers a package including inflatable tender with bespoke motor. The packs are composed of our best-seller tenders associated with the recommended engine according to model and intended use.

**PLASTIMO**

**SUZUKI**



## Raid package

Pack ref.	Length	Colour	Motor
<b>68895</b>	2.20 m	Grey	2.5 HP
<b>68896</b>	2.20 m	Blue	2.5 HP
<b>68897</b>	2.40 m	Grey	2.5 HP
<b>68898</b>	2.40 m	Blue	2.5 HP



## Fun package

Pack ref.	Length	Colour	Motor
<b>68899</b>	2.30 m	Grey	2.5 HP
<b>68900</b>	2.70 m	Grey	2.5 HP
<b>68902</b>	2.70 m	Grey	4 HP
<b>68901</b>	3.20 m	Grey	2.5 HP
<b>68903</b>	3.20 m	Grey	4 HP



## Horizon package, slatted floor tender

Pack ref.	Length	Motor
<b>68904</b>	2.00 m	2.5 HP
<b>68905</b>	2.30 m	2.5 HP
<b>68909</b>	2.60 m	2.5 HP
<b>68911</b>	2.60 m	4 HP



## Horizon package, inflatable floor

Pack ref.	Length	Motor
<b>68906</b>	2.00 m	2.5 HP
<b>68907</b>	2.30 m	2.5 HP
<b>68908</b>	2.60 m	2.5 HP
<b>68910</b>	2.60 m	4 HP

# Outboard motors



**3** year  
Warranty

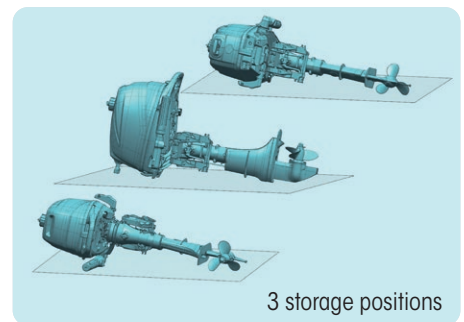


## 4-stroke outboard motors

- Black short shaft outboard motors, complete with propeller.
- Tank connection plug.
- Fresh water rinsing system.
- Manual starting system.
- 3-year limited warranty for recreational use, 1-year warranty for either commercial or rental use...
- **3 storage positions** : can be laid and stored on any of its 3 sides.

Ref.	Motor	Weight	Cylinder	Built-in fuel tank	Power
<b>67720</b>	DF2.5S – 2.5 HP	13.5 kg	68 cm <sup>3</sup>	1 L	1.8 kW
<b>67721</b>	DF4S – 4 HP	24 kg	138 cm <sup>3</sup>	1 L	2.9 kW
<b>67722</b>	DF5S – 5 HP	24 kg	138 cm <sup>3</sup>	1.5 L	3.7 kW
<b>67723</b>	DF6S – 6 HP	24 kg	138 cm <sup>3</sup>	1.5 L	4.4 kW
<b>67724</b>	DF6S – 9.9 HP	39 kg	208 cm <sup>3</sup>	12 L	7.3 kW

All models compatible with outboard trolley ref. 67436.



Patented

### Outboard trolley

**67436**

- Suitable for outboards up to 15 HP (60 kg).
- Lightweight (8 kg), compact and stable.
- Ergonomic design, foldable.
- Adjustable height galvanized tubes, accommodate long shaft engines.
- Large solid wheels (Ø 250 mm, width 80 mm). Suitable for use on the beach.
- Wheels with waterproof bearings.



# VHF radios

## Handheld VHF



Marine handheld VHF radios, waterproof and floating, delivering up to 13-hour runtime with outstanding transmission and reception performance.

**2** year  
Warranty



### SX-350 handheld VHF

**68754**

Europe version, USA-Canada compatible.

- 3 W power output. 156-163.275 MHz frequencies.
- 13-hour runtime (assuming 5% transmit, 5% receive, 90% watch).
- 1750 mA Li-ion battery.
- Dual and triple watch.
- Weather function (10 channels, USA only).
- Water draining function helps evacuate water from loudspeaker.
- Instant access to Channel 16 and programmable favourite channel.
- USB charging (12 V and 220 V adapters included).
- Large backlit LCD display (35 x 25 mm).
- Large user-friendly backlit keys.
- Optional hand speaker/microphone : ref. 67575.
- Operating temperature : -20 to + 60 °C.



**IPX7 protection rating :**

- Protected\* against water submersion at 1 m depth for 3 minutes.

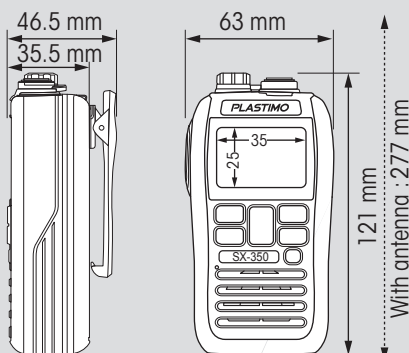
\* only if the cap of the external microphone socket is perfectly closed.  
(IP : Ingress Protection)



Supplied complete with integrated Li-ion battery, 12 V cigarette lighter/USB adapter, 220 V mains/USB adapter, USB cable, hand lanyard and belt clip.

#### Handheld VHF : Safety first !

In some countries, it is compulsory to have a handheld VHF on board as integral part of the safety equipment. Plastimo recommends to have a handheld VHF on board when marina shuttling in an inflatable tender, when powercruising -even close to shore- on a RIB or dayboat, or as the ultimate easy communication instrument to upgrade your grab bag emergency array.



Weight : 183 g  
(battery, antenna and belt clip included).



Thomas Deragnisoux ©



**2** year  
Warranty



Waterproof & Buoyant

## SX-400 handheld VHF

**67440**

Europe version, USA-Canada compatible.

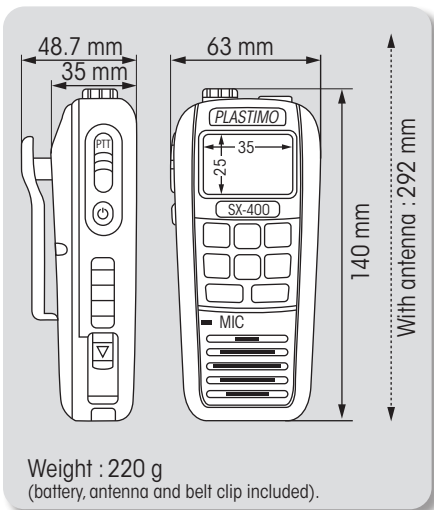
- **5 W power** output. 156-163.425 MHz frequencies.
- 12-hour runtime (assuming 5% transmit, 5% receive, 90% watch).
- 1750 mA Li-ion battery.
- Dual and triple watch.
- Weather function (10 channels, USA only).
- Automatic water draining function evacuates water from loudspeaker.
- Instant access to Channel 16 and programmable favourite channel.
- **ATIS mode for inland waters.**
- USB charging (12 V and 220 V adapters included).
- Large backlit LCD display (35 x 25 mm).
- Large user-friendly backlit keys.
- Optional hand speaker/microphone : ref. 67575.
- Operating temperature : -15° to +55 °C.



Float and flash, with **sound alarm + flashlight** when immersed.



**Water draining function** : helps evacuate the water from the loudspeaker. **Turns ON automatically** when VHF is retrieved from the water.



USB charging (12 V and 220 V adapters + cable included).



Supplied complete with integrated Li-ion battery, 12 V cigarette lighter/USB adapter, 220 V mains/USB adapter, USB cable, hand lanyard and belt clip.



# Fixed VHF radios



**2** year  
Warranty

1m / 30 min  
↓  
IPX7

**IPX7 protection rating :**

Waterproof front facia (IP : Ingress Protection)

## FX-500 fixed VHF, DSC - GPS

**68756**

(Europe version, USA-Canada compatible)

Compact and waterproof, the FX-500 is extremely user-friendly and straight forward in use. Features a **wire-type GNSS antenna** and a **remote microphone**.

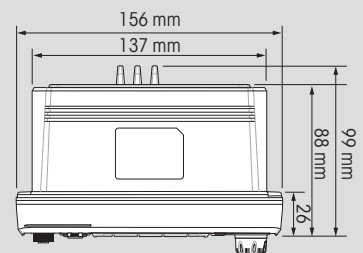
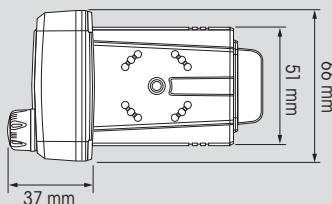
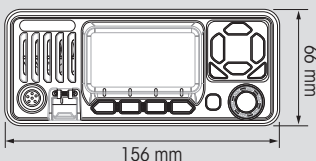
- 1 W / 25 W power output.
- GNSS antenna included : GPS & GLONASS.
- **DSC function**, class D.
- **ATIS mode** for European inland waters.
- Compact size : 156 x 66 x 99 mm (L x H x D).
- 4 pre-programmed instant access keys on front facia.
- External loudspeaker output.
- Water draining function to evacuate water from the loudspeaker.
- 55 x 28 mm backlit display.
- GPS function with navigation data : time, LAT/LON, COG and SOG.
- SCAN function of pre-programmed favourite channels.
- Dual and triple watch.
- 3 channel groups : international, USA and Canada.
- Weather alert (USA only).
- Menu in English and French (user's manual in 8 languages).
- RED certified.
- NMEA 0183 compatible.



All fixed VHF radios must be equipped with a satellite position receiver. Our FX-500 VHF features a GNSS receiver which processes the boat location from the GPS and GLONASS satellites.



FX-500 comes with wire-type GNSS antenna (GPS & GLONASS) including 5 m cable. Antenna holds either on magnetic surface or with double-sided adhesive tape.



Weight : 721 g, VHF radio + microphone  
(bracket, GPS antenna and wallmount kit not included).

1h / ≥ 1m  
IPX8  
Waterproof front facia  
(IP : Ingress Protection)

3 year  
Warranty



### GX 1400 fixed VHF, DSC - GPS

**67804**  
(Europe version)

- 25 W power output.
- Built-in 66 channel GPS antenna + socket for external antenna.
- Class D **DSC (Direct Selection Calling)** : can poll automatically the GPS position of up to 6 vessels using DSC.
- **ATIS mode** for European inland waters.
- 4-key microphone : channel 16, channel selection, H/L = 1/25 W.
- Compact size : 156 x 61 x 112 mm (L x H x D). Rear case : 72 mm.
- Large screen 55 x 31 mm.

- 3 pre-programmed instant access keys on front facia.
- Time and GPS position display.
- SCAN function of pre-programmed favourite channels.
- Dual and triple watch.
- Eliminates unwanted background noises for crystal clear transmission.
- English menu.
- RED certified.
- NMEA 0183 compatible.

*Option*

**Flushmount kit :  
66473**  
For GX  
1400 VHF



### GX 1800 fixed VHF, ASN - GPS

**67805**  
(Europe version)

### GX 1850 fixed VHF, ASN - GPS

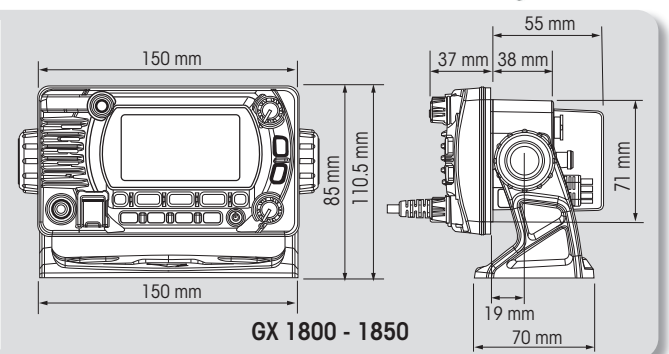
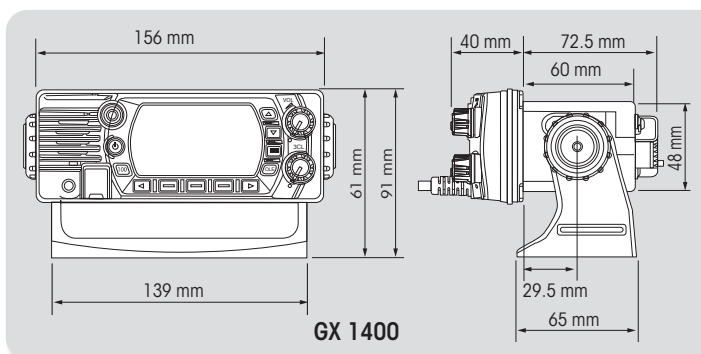
**67806**  
Same as GX 1800, with additional  
**NMEA 2000** compatibility.

- 25 W power output.
- Built-in 66 channel GPS antenna + socket for external antenna.
- Class D **DSC (Direct Selection Calling)** : can poll automatically the GPS position of up to 6 vessels using DSC.
- **ATIS mode** for European inland waters.
- **MOB function.**
- 4-key microphone : channel 16, channel selection, H/L = 1/25 W.
- Compact size : 150 x 85 x 92 (L x H x D). Slim rear case : 55 mm.
- **Very large 66 x 36 mm screen with night mode.**

- 3 pre-programmed instant access keys on front facia.
- Time and GPS position display.
- Compass and GoTo waypoint display.
- SCAN function of pre-programmed favourite channels.
- Dual and triple watch.
- Eliminates unwanted background noises for crystal clear transmission.
- English menu.
- RED certified.
- GX 1800 : NMEA 0183 compatible.
- GX 1850 : NMEA 0183 and NMEA 2000 compatible.

*Option*

**Flushmount kit :  
67822**  
For GX 1800 & 1850 VHF





# Repeat



Repeats all data from S400 instruments through the advanSea AS-1 bus. Also repeats data from all instruments featuring an NMEA0183 capability.

- Apparent wind direction and speed.
- Depth (with and without offset).
- Water speed and GPS speed (with and without offset).
- Water temperature.
- Total and trip log.
- Course information (compass).

### Features

- 2-line display : digits 32 mm high on upper line, 22 mm on lower lines.
- Proprietary Bus interface and NMEA0183 input/output.
- Simulation mode.

S400 REPEAT	Ref.
• Repeat S400, display alone	<b>67039</b>

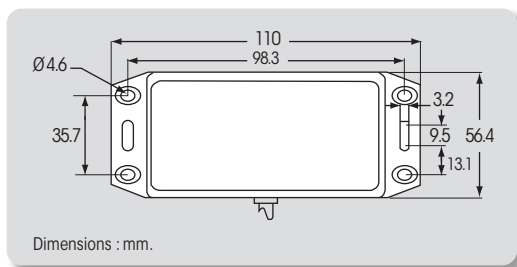
# WiFi - 4G

## WiFi universal multiplexer 64073

Centralizes all NMEA0183 data sources into a single stream. Then, the data is transmitted via WiFi and accessible from a wireless device : laptop, tablet or smartphone.

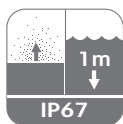


Once the instruments are connected, the interface automatically configures itself.



- Built-in supply and data cable : 1 m long.
- Power supply : from + 9.5 V to +30 V.
- Power consumption : max. 40 mA (12 V).

# S400 compass



The S400 Compass is an advanSea sensor designed to measure the earth's magnetic field.

Delivers a magnetic heading indication (HDG frame) using an NMEA0183 connection. Compatible with the advanSea Wi-Fi interface (ref. 64073), the advanSea REPEAT display (ref. 67039). Also compatible with all devices featuring an NMEA0183 input and able to receive magnetic heading information (GPS card reader, navigation software, radar, etc...).

### Earth magnetic field sensor.

A Fluxgate compass sensor consists of a ferromagnetic washer, an excitation coil and two detection coils. Induction is created in the washer by a signal on the excitation coil. The presence of an external magnetic field (earth magnetic field) generates an additional induction in the washer and produces distortions measured by the detection coils. This measurement is then used by the electronics.

- Power supply : 10 to 16 V DC / 25 mA.
- 1° resolution.
- Overall height 68 mm x Ø 76 mm
- Weight : 270 g including cable.

S400 COMPASS	Ref.
• S400 compass with 6 m cable, holding bracket + fixing screws, instructions manual*	<b>67040</b>

\* Paper instruction manuals : French and English.

# Binoculars

## 7 x 50 marine binoculars

French leader on the marine binoculars market, Plastimo provides a complete range designed to meet all the boaters needs. For over 40 years, Plastimo has selected superior optical quality binoculars, optimized for use in marine environment. Ergonomic binoculars with rubber texture for a firm grip. Shock-proof and highly reliable in all weather conditions.



JM Liot ©

### Alpha RC 7 x 50 binoculars 1045000

Central focusing binoculars. Rubber sheath for good handling.



All binoculars are supplied with carrying case, neck strap and cleaning cloth.

Rubber fold-down eye cups. Ideal for glass wearers.



### Amiral RC 7 x 50 binoculars 1045030

Waterproof binoculars, high resolution optics, central focusing. Rubber sheath.



### Rescue 7 x 50 binoculars with compass 1045038

Floating and waterproof binoculars, high resolution optics, eyes focusing. Binoculars with built-in compass. Light with batteries. Compass fully operational between 40° and 60° North latitude.



### Amiral FX 7 x 50 binoculars 1045025

Fix focus water proof binoculars, high resolution optics, central focusing. Rubber sheath.



### Rescue 7 x 50 binoculars 1045039

Floating and waterproof binoculars, high resolution optics, eye focusing.



Ref.	Magnification	Ø objective lens	Focus	Waterproof	Field of view	Prism	Coating	Colour	Height	Weight	Fold-down eye cups
<b>1045000</b>			Central	Sprayproof	123 m	BAK-7		Black	185 mm	790 g	
<b>1045030</b>			Central	Waterproof	115 m	BAK-4		Black and blue	200 mm	920 g	
<b>1045025</b>	7	50	Autofocus	Waterproof	115 m	BAK-4	Multi	Black and blue	200 mm	880 g	✓
<b>1045038</b>			Eye focus	Waterproof	132 m	BAK-4		Black and yellow	200 mm	900 g	
<b>1045039</b>			Eye focus	Waterproof	132 m	BAK-4		Black and yellow	200 mm	800 g	

### Options & accessories



**Protection case 31356**  
For 7 x 50 binoculars. White PVC, UV resistant.



**Floating lanyard 31248**  
Foam-cushioned strap : it will float 7 x 50 binoculars and mark their location in visible yellow to fish them out quickly.



# Commander 7 x 50

Steiner Commander 7 x 50 binoculars combine a unique quality standard and extreme ruggedness in all circumstances.

With their exclusive "diamond" optical coating, they offer breathtaking overview. This guarantees perfect, razor-sharp images even in low brightness conditions.

The Sports-Auto-Focus always delivers crystal-clear images in 3D brilliance from 20 m to infinity.

The Commander model features ErgoFlex eyecup to protect against side light.

The Makrolon® housing provides exceptional ruggedness and the nitrogen-pressure technology prevents fogging up and formation of condensation inside the binoculars.

**30** year  
Warranty

**STEINER** 



**Commander  
7 x 50  
1200429**



ErgoFlex eyecups

Neoprene carrying harness  
& floating neck strap  
included.

**Commander  
7 x 50 Compass  
1200428**



High precision illuminated  
analogic compass  
integrated.

Model	Commander 7 x 50	Commander 7 x 50 Compass
Ref.	<b>1200429</b>	<b>1200428</b>
Objective lens diameter	50 mm	50 mm
Magnification	7 x	7 x
Waterproof	10 m	10 m
Field of view at 1000 m	145 m	145 m
Brightness	51	51
Exit pupil	7.1 mm	7.1 mm
Twilight factor	18.7	18.7
Height	157 mm	157 mm
Width	206 mm	206 mm
Weight	1090 g	1190 g

30 years warranty except for external parts.

# BluHorizons

**BluHorizons  
10 x 26  
67305**

Very compact and lightweight binoculars featuring the Steiner Autobright technology : the sunlight adaptive lens automatically adjusts brightness. Images are bright and razor-sharp and eyestrain is reduced. Fast-Close-Focus system makes focus adjustment very easy.

Equally suitable for boating and outdoor activities.



**10** year  
Warranty

Model	BluHorizons 10 x 26
Ref.	<b>67305</b>
Objective lens diameter	26 mm
Magnification	10 x
Waterproof	Sprayproof
Field of view at 1000 m	98 m
Brightness	6.76
Exit pupil	2.6 mm
Twilight factor	16.12
Height	114 mm
Width	111 mm
Weight	310 g

10 years warranty except for external parts.



# Navigator Pro

**10** year  
Warranty

More compact than the Commander model, the Navigator Pro binoculars feature premium objective lens that delivers crystal-clear, bright and razor-sharp images. Sports-Auto-Focus cares for instant adjustment and Makrolon® housing guarantees the legendary Steiner ruggedness. Nitrogen-pressure technology prevents fogging inside.



**Navigator Pro  
7 x 50  
1200441**

Neoprene harness  
included.



**Navigator Pro  
7 x 50 Compass  
1200440**

High resolution  
shock-absorbing  
compass.



**Navigator Pro  
7 x 30  
1200443**



**Navigator Pro  
7 x 30 Compass  
1200442**

High resolution, shock-absorbing  
and compact compass.

Model	Navigator 7 x 50	Navigator 7 x 50 Compass	Navigator 7 x 30	Navigator 7 x 30 Compass
Ref.	<b>1200441</b>	<b>1200440</b>	<b>1200443</b>	<b>1200442</b>
Objective lens diameter	50 mm	50 mm	30 mm	30 mm
Magnification	7 x	7 x	7 x	7 x
Waterproof	5 m	5 m	5 m	5 m
Field of view at 1000 m	123 m	123 m	123 m	123 m
Brightness	51	51	18.4	18.4
Exit pupil	7.1 mm	7.1 mm	4.3 mm	4.3 mm
Twilight factor	18.7	18.7	14.5	14.5
Height	140 mm	140 mm	107 mm	107 mm
Width	207 mm	207 mm	165 mm	165 mm
Weight	1030 g	1110 g	520 g	560 g

10 years warranty except for external parts.



# Marine charts



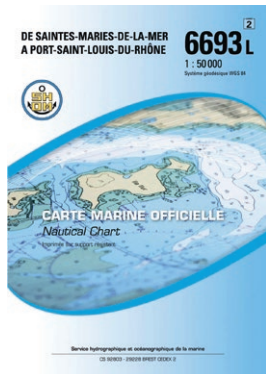
The SHOM\* is the government mapping agency reporting to the French Ministry of Defence. It collects and organises the publication of official data necessary to maritime navigation. As such, the SHOM is the most instrumental and official body to the production of marine cartography and nautical publications.

\*SHOM : Service Hydrographique et Océanographique de Marine

Plastimo distributes all the SHOM marine charts and nautical books. If you don't know the SHOM reference of the marine chart you are looking for, please go to [www.shom.fr](http://www.shom.fr) to identify the SHOM reference related to the searched area.

## Paper cartography

**All SHOM marine charts are BI-LINGUAL English and French**

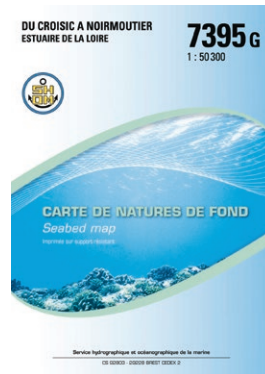


### Folded sea-charts (L)

L-cards are folded in A4 format and printed on latex-filled paper for very good fold resistance, even when wet. In addition to being resistant to the wet environment, this specific paper allows personal navigational data to be written (point transfer, route plotting, etc...).  
3 ranges of map scales :  
• Range 1, about 1 : 20 000.  
• Range 2, about 1 : 50 000.  
• Range 3, about 1 : 150 000.

• To order a folded sea-chart :

Enter 103 6693  
103 = Plastimo code    6693 = SHOM code  
(here : from Saintes-Maries-de-la-Mer to Port-Saint-Louis-du-Rhône)



### G sea-charts (sea beds)

Folded in A4 format and intended more specifically for fishermen, these sea-charts of sea beds provide all seafarers a better knowledge of the area covered. Mapped from all the data used to characterise the sea-beds sediments : historic elements (XIX<sup>th</sup> century) supplemented by recent lab analysis combined with scans of acoustic images of multibeam sonars and sounders.

• To order a G sea-chart :

Enter 103 7395 G  
103 = Plastimo code    7395 = SHOM code    G = sea chart type  
(here : sea bed from Le Croisic to Noirmoutier)



### Full size sea-charts (classic)

Sea-charts supplied unfolded, paper format 120 x 84 cm.

• To order a full size sea-chart :

Enter 103 7131 CA  
103 = Plastimo code    7131 = SHOM code    CA = chart type/size  
(here : from Le Havre - Rotheneuf to Cancale)

Available on special order only.



### Offshore boating licence drills

Officially certified exercise drills prior to taking the offshore boating licence tests.

- Chart folded in A4 format : 1039999
- Full size unfolded chart : 1039999SA



### Updates and new editions

The SHOM update their 1100 marine charts to integrate new information (hydrographic surveys, regulations, changes in buoy marking or port infrastructures, etc.) and to keep them in line with current international standards.

The charts are regularly reprinted and incorporate official corrections. The latest correction is indicated in the South-West corner of the map.

# Books



## SHOM catalogue

**103D004ZKA**

Catalogue of all marine charts and nautical books (2021 Edition).  
Format 305 x 420 mm.  
**Also available online on [www.plastimo.com](http://www.plastimo.com)**



## Navigator guide

**103D001NOA**

2012 Edition, format 210 x 295 mm (except\* : 190 x 268 mm).

**Pack includes 5 books :**

- Volume 1 : Documentation & nautical informations + 001 DNOA : Symbols & abbreviations + 001 FNOA\* : Hydrography, nautical documents
- Volume 2 : Methods & instruments of navigation
- Volume 3 : Nautical regulations

## Tidal Current Atlas



Shows tidal currents and water levels.  
Format 210 x 290 mm.

- **103D564UJA** : English Channel, from Dunkirk to Brest
- **103D565UJA** : Bay of Biscay



## Tidal streams

Format 210 x 290 mm.

- **103D555UJA** : Bay of Brest – Bay of Douarnenez
- **103D557UJA** : Pas-de-Calais
- **103D558UJA** : Brittany South coast, from Audierne to Croisic (2005 Edition)
- **103D559UJA** : French West coast, St Nazaire to Royan (2001 Edition)
- **103D560UJA** : Iroise Sea
- **103D561UJA** : The Seine bay, Cherbourg to Fécamp
- **103D562UJA** : Cherbourg to Paimpol, Normandy-Brittany gulf
- **103D563UJA** : North Brittany : Héaux-de-Bréhat to Pointe de Pontusval
- **103D566UJA** : The Loire area, from Quiberon peninsula to Ile d'Yeu



## COLREG

**103D002NOA**

International Regulations for Preventing Collisions at Sea.  
2016 edition,  
format 210 x 295 mm.



## Maritime signals

**103D003NOA**

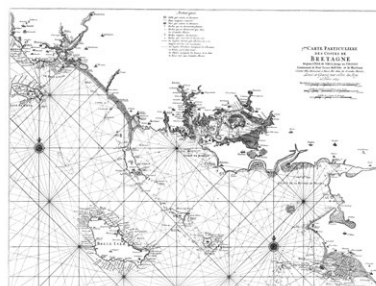
2016 edition,  
format 210 x 295 mm.



## Symbols & abbreviations

**103D001DNOA**

Used on French nautical charts.  
Format 210 x 295 mm.



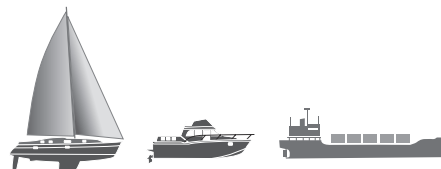
## Reproductions of old charts

Printed on 250 g Velin quality paper (except chart of Bréhat, on white 150 g paper).

Ref.	Description	Format
<b>103D0061WN</b>	5 <sup>th</sup> specific chart of the Brittany coast : surroundings of the bay of Brest (1693)	65 x 50 cm
<b>103D0062WN</b>	Chart of the Brest harbour bottleneck (1816)	65 x 50 cm
<b>103D0063WN</b>	Saint Malo and surroundings (1764)	65 x 50 cm
<b>103D0064WN</b>	8 <sup>th</sup> private chart of the coast of Brittany : from the Loire to the Isle of Noirmoustier (1823)	65 x 50 cm
<b>103D0065WN</b>	General chart of the island of Corsica (1831)	91 x 64 cm
<b>103D0066WN</b>	Chart of the Society Islands (1827)	91 x 64 cm
<b>103D0067WN</b>	Dept. of Var : the Gulf of Napoule and Gourjean or Gulf of Jouan, including the Lérins islands (1792)	65 x 50 cm
<b>103D0068WN</b>	Chart of the Hyères islands and bay (1792)	65 x 50 cm
<b>103D0069WN</b>	Chart of the Saintes Islands (1818)	76 x 57 cm
<b>103D0070WN</b>	Reduced chart of Jersey, Guernsey and Alderney (1757)	65 x 50 cm
<b>103D0071WN</b>	Chart of Belle Isle (1761)	65 x 50 cm
<b>103D0072WN</b>	Chart of Ile de Ré and Olleron (1750)	65 x 50 cm
<b>103D0073WN</b>	Estuary of the river of Bordeaux (1776)	65 x 50 cm
<b>103D0074WN</b>	Dept. of the Seine, from Fécamp to Dives (1792)	65 x 50 cm
<b>103D0075WN</b>	Map of the Bassin D'Arcachon (1817)	65 x 50 cm
<b>103D0076WN</b>	West coast of France : Morbihan (1872)	65 x 50 cm
<b>103D0077WN</b>	Coast and islands around Marseilles (1792)	65 x 50 cm
<b>103D0078WN</b>	Map of the island of Bréhat and surroundings (1838)	119 x 84 cm
<b>103D0079WN</b>	7 <sup>th</sup> specific chart of the Brittany coast : from the Isle of Groa to the Croisic	65 x 50 cm
<b>103D0080WN</b>	Reduced chart of the French coasts along the Mediterranean	65 x 50 cm
<b>103D0081WN</b>	6 <sup>th</sup> specific chart of the Brittany coast : from the Hodiernne bay to the Isle of Groa	65 x 50 cm



# Antennas



## 4G/WiFi antennas

4G/WiFi HSPA + coastal Internet antennas up to 15 or 20 miles that allow to have a high-speed internet connection by WiFi or Ethernet on your boat.

Easy to install : insert one or two SIM cards (not included), download the Android or IOS Glomex app and get a 4G signal or WiFi connection, providing Internet for each Web device you have on board : laptop, tablet, smartphone.

Ideal to head back to port safely in all seasons and situations.



### Features common to Webboat Lite EVO and Webboat Plus EVO :

- Android or IOS app.
  - 4G/WiFi automatic switch.
  - 9/30 Vdc power supply.
- Cable not included.



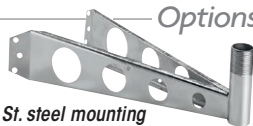
### Webboat Lite EVO antenna

**69038**

2 x 4G + 1 WiFi Internet antenna, up to 15 NM reach.

- Single mini SIM card.
- 2 Ethernet ports.
- Antenna dimensions : 140 x 200 mm (Ø x H).
- Weight : 0.9 kg

#### Options for sailing boats



- **St. steel mounting masthead.** (V9173) **46797**

Standard 1 ¼" threading, weight 330 g.

- **Universal st. steel mounting for antennas and extensions.** (V9176) **46801**

Standard threading 1 ¼". Weight 280 g. Height 100 mm.



#### Options for powerboats

- **Universal nylon-reinforced support** (V91750T) **475016**

Standard 1 ¼". Weight 27 g. Height 40 mm.



- **Universal st. steel support** (V9177) **66930**

Standard 1 ¼". Weight 150 g. Height 40 mm



### Webboat Plus EVO antenna

**69039**

4 x 4G + 2 x WiFi Internet antenna, up to 20 NM reach.

- 4G (LTE) up to 150 Mbps in download mode, 50 Mbps in upload mode.
- Dual micro SIM card.
- 4 Ethernet ports.
- Antenna dimensions : 250 x 300 (Ø x H).
- Weight : 1.2 kg

#### Options for sailing boats



- **St. steel mast support** (V9173TV) **57480**
- Ø 25 mm. No threading.

#### Options for powerboats



- **Universal st. steel deck support** (V9124) **46790**
- Ø 25 mm. H. 150 mm.



- **Flat adjustable deck support, nylon** (ITM001) **66928**

# Satellite TV antennas

Glomex satellite TV Antennas provide second-generation DVB-S2 : "Digital video Broadcasting". This technology offers a perfect quality satellite signal to receive **broadcast TV channels in FULL HD and 4K**. They are equipped with an ultra-fast satellite locking system even in extremely rough sea conditions thanks to completely renewed electronics and mechanics : more powerful processor, faster pilot and more robust structure.

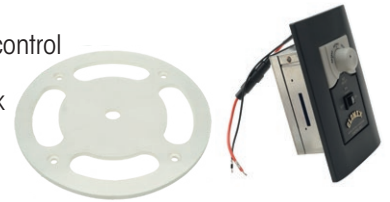


Download the Android or iOS application to update the antenna and manage the list of satellites.

## Common features to Rhea NEO and Saturn 4 DCSS NEO antennas :

- Power supply 12/24 Vdc.
- Consumption 1.5 Ah.
- Dimensions : parabolic dish Ø 470 mm (18"), antenna 500 x 560 mm (Ø x H)
- Weight : 13 kg.

Complete set includes : 1 control unit, 10 m cable, 1.50 m TV cable and a thick synthetic rubber seal.



## Rhea NEO antenna

### 69040

High quality gyro-stabilised satellite TV antenna. Thanks to a GPS system, it stores previous navigation positions and guarantees exceptional signal reception. 1 output.

## Option

**Mounting bracket V9500 : 66934**  
Common to Rhea NEO and Saturn 4 DCSS NEO



## Saturn 4 DCSS NEO antenna

### 69041

Allows you to connect up to 16 TV sets simultaneously. DCSS/SCR technology has been specially developed to be used with the dCSS receivers, for example the Sky Q receivers, and to take advantage of all their features (such as recording a program while watching another channel).

Easy and quick installation with a single cable running from antenna down to multiple output devices.

1 single cable feeds 1 up to 16 outputs.



# Navigation lights

## LED navigation lights

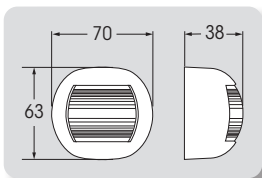
### Orsa Pro LED lights

For boat < 20 m

Built-in LED circuit.  
Polycarbonate lens.  
Side mount.  
Visibility 2 NM.  
Voltage 9-32 V.  
Consumption 0.1 A.



Model	Black	White	316 st. steel
Port	<b>69063</b>	<b>69067</b>	<b>69071</b>
Starboard	<b>69064</b>	<b>69068</b>	<b>69072</b>
Masthead	<b>69065</b>	<b>69069</b>	<b>69073</b>
Stern	<b>69066</b>	<b>69070</b>	<b>69074</b>



### Gemini pole LED lights

For boat < 20 m.

360° white light on 316 st. steel pole.  
Built-in LED circuit.  
Polycarbonate lens.  
Voltage 9-32 V.  
Consumption 0.1 A.



Model	Height	Ref.
Folding	230 mm	<b>69081</b>
	600 mm	<b>69082</b>
Pull-out	600 mm	<b>69083</b>

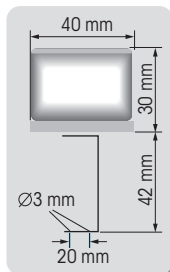
### Tiny Tri-LED navigation light

**69097**

For boat < 12 m.

Tricolor + mooring.

- Visibility 1 NM (Red/Green)  
2 NM (White).
- Vibration-proof.
- Totally sealed in epoxy resin.
- 12 VDC regulated.
- Consumption 0.15 A.
- Dimensions :  
69 x 95 mm (Ø x H)



### Croce del sud Easy LED lights

For boat < 12 m.

Polycarbonate lens.

Side mount.

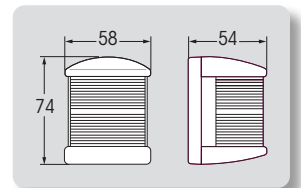
Voltage 12 V.

2 x 44 mm festoons included :

- 1 incandescent, consumption 1 A. IMO/Colreg 72.
- 1 monofilament LED, consumption 0.1 A.



Model	Black	White
Port	<b>69053</b>	<b>69058</b>
Starboard	<b>69054</b>	<b>69059</b>
Masthead	<b>69055</b>	<b>69060</b>
Stern	<b>69056</b>	<b>69061</b>
Bicolor	<b>69057</b>	<b>69062</b>



### Stern flushmount LED light

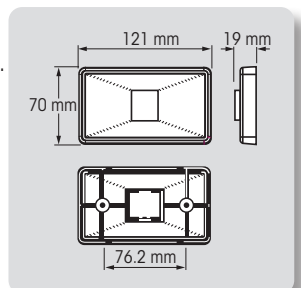
**69084**

For boat < 20 m.

Visibility 2 NM. White 135°. 316 st. steel.

Voltage 12 V.

Consumption 0.1 A.



### Navipro LED lights

For boat < 20 m.



Polycarbonate lens.

Vertical mount.

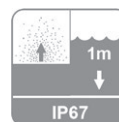
Voltage 10-30 V.

Consumption : 0.1 to 0.36 A.

Dimensions : Ø 69 x H 95 mm.



Visibility	Model	Ref.
2 NM	Tricolor + mooring	<b>69098</b>
	Tricolor	<b>69099</b>
	Mooring	<b>69100</b>
	Bicolor	<b>69101</b>
2 NM	Port	<b>69102</b>
	Starboard	<b>69103</b>
	Stern	<b>69104</b>
3 NM	Masthead	<b>69105</b>



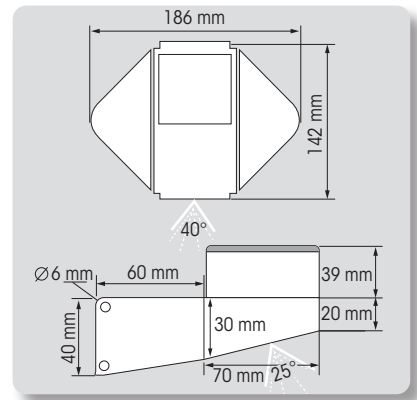
## LED masthead + deck floodlight



69113



69114



Ref.	Construction	For boat	Visibility	Deck floodlight	Dimensions	Consumption	Waterproof
<b>69113</b>	ABS + PMMA	< 12 m	2 NM	300 Lm / 40°	W 186 x H 142 mm	0.1 + 0.4 A	-
<b>69114</b>	Grey anodised aluminium	< 20 m	3 NM	370 Lm / 25°	Ø 70 x H 59 mm	0.3 + 0.4 A	IP67



69106



69108



69109



### Bulb LED for navigation lights

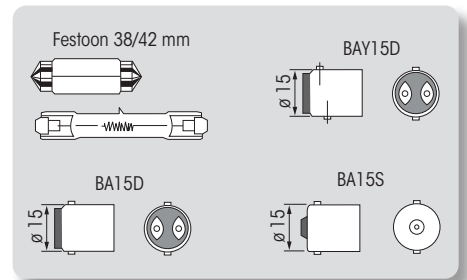
For boat < 12 m.

Protected with anti-corrosion varnish.  
Long lasting : 50,000 hours.

- Voltage 9-30 V.
- Consumption : 0.07 A (visibility 2 NM), 0.13 A (visibility 3 NM).
- Adaptable festoon, L. 38-42 mm.
- Overall dimensions : 41 x 33 mm (H x Ø).

Suitable for all lights, including small size models.

Visibility	Model	Ref.
2 NM	Festoon 38/42 mm	<b>69106</b>
	BAY15D	<b>69107</b>
3 NM	BAY15D	<b>69108</b>
	BA15D	<b>69109</b>
2 NM	BA15D	<b>69109</b>
	BA15S	<b>69110</b>



## Deck floodlights



A



B



C

### LED deck floodlights

- White lacquered aluminium body.
- Voltage 10-30 V.

Ref.	LED	Power	Lumen	Light colour	Waterproof
A <b>69087</b>	x 6	18 W	1200	6000 K	IP67
B <b>69088</b>	x 9	27 W	1600	6000 K	IP67
C <b>69089</b>	x 16	48 W	2880	6000 K	IP67
D <b>69120</b>	x 6	36 W	3800	4000 K	<b>IP68</b>

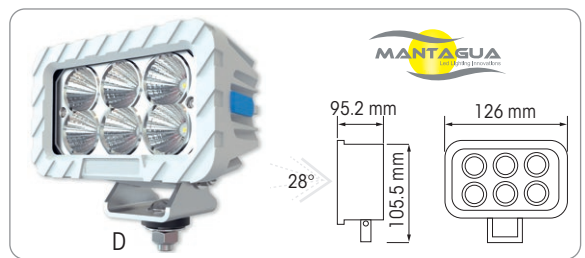
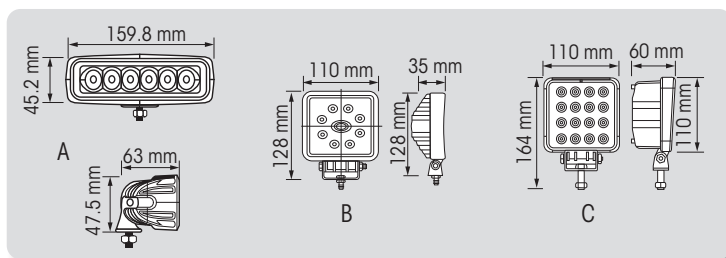


### Trailer lights

4 functions and versatile left/right :

- Position light.
- Stop light.
- L/R turn indicator.
- Numberplate lighting.

Ref.	Model	Dimensions L x W x D (mm)
<b>69085</b>	With incandescent bulb	97 x 97 x 49
<b>69086</b>	LED	97 x 105 x 31







**Navi Light pack  
67194**

IMO COLREG 72  
approved 2 NM

**Solution pack for small tender, dinghy, canoe, kayak or fishing craft.**

- White Navi Light 360° 2 NM with « U » base.
- Tricolor Navi Light 360° 2 NM with Navimount base.
- « U » bracket to attach the 2 NM white Navi Light 360° or a GoPro®/action camera.
- Navimount RIB support with 3M® self-adhesive pad.
- Horizontal Navimount system.
- Vertical Navimount system.
- Connector pole.
- Adjustable pole.
- Max length : 1 m.
- Storage bag.



*Options & Accessories*

**Navi Light accessories**

Designed to multiply the mounting possibilities.

**Magnetic disc  
68760**



Navi Light lamps come as standard with a magnetic base and one magnetic disc. Adding a second magnetic disc as extra option allows you to mount the lamp as a take-away accessory through a surface that allows the magnetic force to work (eg. on a bimini-top for example).



**Magnetic disc**, ideal when combined with Navi Light lamps 61786, 61796 and 61795.



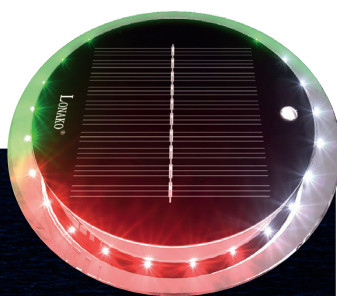
**Recess mount bracket  
68761**

Ideal on kayaks, surfboards or stand-up paddles.

**Recess mount bracket**, ideal when combined with Navi Light lamps 64257, 64258, 64980, 64981 and GoPro® camera.



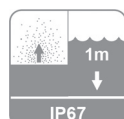
**LED wireless navigation light  
2263086**



Wireless multifunction LED light with remote control. No wiring required : operates on a lithium battery charged by a solar panel.

- Multifunction : white flashlight, tricolour light, starboard and port lights, slow white flashlight, SOS, white mooring light, OFF.
- 3 control possibilities : switch, 20 m reach remote control, daylight automatic activation.
- Battery runtime : > 150 hours in flashlight mode, 12 hours in fixed light mode, > 20 hours in SOS mode.
- Visibility : > 1 NM navigation light, > 3 NM flashlight, > 2 NM mooring light.
- Operating temperature : -30° to +65°C.
- Dimensions : Ø 115 x 73 mm.
- Weight : 345 g including remote control unit.

**Perfect safety add-on. Must not be used alone and is no substitute to a standard navigation light.**



# Cabin lighting

## LED spotlights and downlights

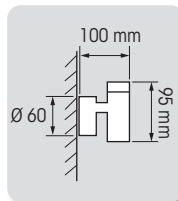
### Toro LED spotlight



- Zamak and glass construction
- 9-30 V
- 1.3 W power (10 W equivalent)
- 90 Lumen
- 3100 K warm white colour
- 360° illumination + 40° reading light
- Mounting with 2 screws (included)

Switch	Ref.	USB*
A Rocker switch	<b>69117</b>	No
B Push button	<b>69118</b>	Yes

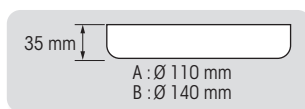
\*2 A max.



### Molène LED downlight

- Flushmount
- Stainless steel flange
- Rocker switch
- 9-30 V
- 1.5 W power (20 W equivalent)
- 130 Lumen
- 3100 K warm white colour
- 50.000 hour long lasting LED's
- Mounting with 3 screws (included)

Overall Ø	Ref.	Angle
A 110 mm	<b>69111</b>	90°
B 140 mm	<b>69112</b>	120°



### Aurora LED downlight

- 316 stainless steel flange
- Aluminium body
- 10-32 V
- 3000 K light colour, warm white

Model	Ref.	Cut-out Ø	Power	Lumen	Angle	Waterproof
A Round, recessed	<b>69092</b>	55 mm	3.6 W	250	95°	IP65
B Round, flushmount	<b>69093</b>	-	3.6 W	260	95°	IP65
C Round and adjustable, recessed	<b>69094</b>	64 mm	4 W	344	97°	IP20
D Square, recessed	<b>69095</b>	55 mm	3.6 W	237	87°	IP65



### LED courtesy light

- Recessed mounting, IP67 protection rating
- 316 st. steel flange
- 12 V
- 6 LED's
- 1.2 W power
- 120° angle

Light colour	Ref.	Lumen
White (5500 K)	<b>69090</b>	83
Blue	<b>69091</b>	22

### Leia LED spotlight + USB

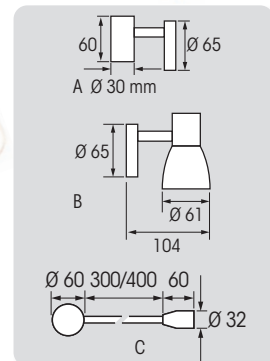


With USB



- IP21 protection rating
- 12 V
- 3 W power
- Dimmer from 0 to 270 Lumen
- 3200 K warm white colour
- USB 5V / 2A charging

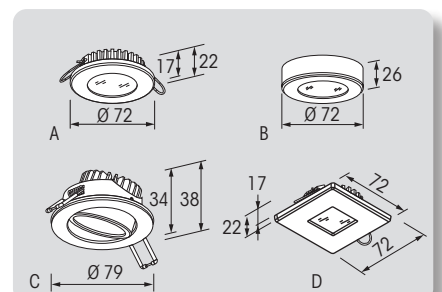
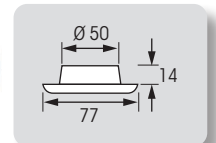
Model	Ref.	Beam angle
A LR1 Adjustable	<b>69126</b>	Narrow
B LR2 Adjustable	<b>69127</b>	Medium
C LX1 Flexible arm	<b>69125</b>	Narrow



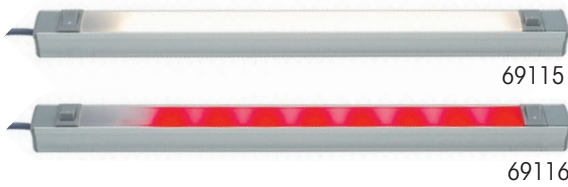
### Nova LED downlight

White : **69122**  
Chrome : **69123**

- Recessed mounting Ø 50 mm
- IP 54 protection rating
- 8-30 V
- 12 LED's
- 2 W power
- 2 adjustable beams :  
- 40 Lumen / 2400 K colour  
- 150 Lumen / 3100 K colour







Colour	Ref.	Lumen
White (3100 K)	<b>69115</b>	180
White (3100 K) + red	<b>69116</b>	140 / 28

## Enez LED batten light



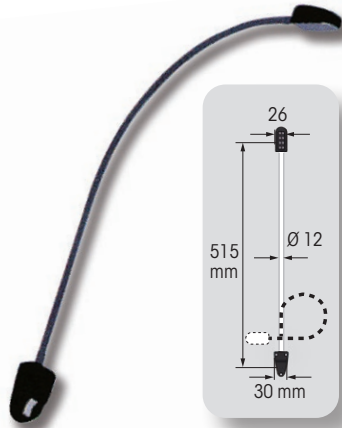
- Flushmount
- Aluminium and PMMA construction
- Rocker switch
- 9-30 V
- 4.8 W power (30 W equivalent)
- Wide 120° beam
- Dimensions : 254 x 22 x 23 mm (L x W x H)
- 2 mounting brackets + 2 screws (included)

## LED chart lights

### LED chart light

**69096**

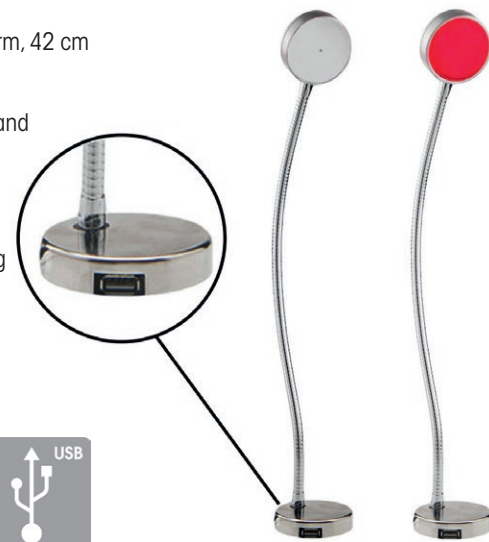
- Vertical mount
- Flexible arm, 51.5 cm
- 12 V
- 1 white LED
- 1 W power



### Glénan LED chart light

**69119**

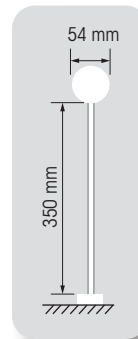
- Horizontal mount
- Aluminium flexible arm, 42 cm
- 9-30 V
- 2.8 W power
- 3100 K warm white and red light colour
- 135/80 Lumen
- Wide 120° beam
- Integrated dimmer
- USB 5V / 2A charging
- Mounting with 2 screws (included)



### LED strip light

**69121**

- 100 cm resin strip
- 4 W power
- 3100 K warm white colour
- 190 Lumen
- 120° beam angle
- 5 Ah USB powerbank included
- 3-hour runtime



## Underwater lighting

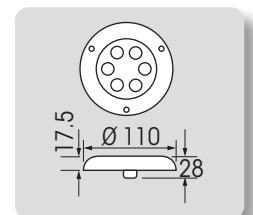
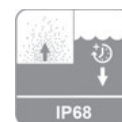
### Aqualight underwater LED spotlight

**69124**

- Flushmount below waterline
- 12-24 V
- 6 LED's
- 16 W power
- Blue colour
- 0 to 40°C operating temperature



Great under-water performance **IP68**.  
Ideal in pool or around the jetty.



# Electricity

2 year  
Warranty



## Batteries AGM

Our versatile batteries are ideal for all common marine applications.

- Maintenance free.
- Fully sealed case, without gas release.
- Low self-discharge rate (2-3 %) : ideal for seasonal use.



### AGM Dual Purpose Battery

Can be used as "mixed battery" to start an engine and/or for servicing as well as to power an electric motor.

- Long service lifetime.
- 5 to 6 times more resistant to cycling than a conventional liquid battery.
- Robust construction (high vibration resistance).
- Durability : 700 cycles at 50 % discharge.

Ref.	Capacity C20	Cold cranking Amps	Dimensions (L x W x H)	Weight
A <b>69130</b>	90 Ah	CCA 620 A (EN)	260 x 168 x 211 mm	26.5 kg
B <b>69131</b>	105 Ah	CCA 780 A (EN)	307 x 168 x 211 mm	28.1 kg
C <b>69132</b>	130 Ah	CCA 960 A (EN)	330 x 172 x 214 mm	33.5 kg
D <b>69133</b>	185 Ah	CCA 1440 A (EN)	532 x 207 x 219 mm	51 kg



### AGM Carbon Battery

Designed for a longer life and perfectly adapted to very demanding environments. Ideal for intensive use and for stand-alone installations. Accept deep and repeated discharges.

- Faster recharges than for conventional batteries.
- Longer autonomy under heavy use and at low temperatures.
- Longer life than standard AGM batteries.
- Maintains high voltage even during deep discharges.
- High resistance to shocks and vibrations.
- Durability : 2500 cycles at 50 % discharge.

Ref.	Capacity C20	Dimensions (L x W x H)	Weight
A <b>69134</b>	85 Ah	260 x 168 x 215 mm	26.4 kg
B <b>69135</b>	110 Ah	330 x 171 x 219 mm	32 kg
C <b>69136</b>	145 Ah	336 x 172 x 279 mm	41 kg
D <b>69137</b>	215 Ah	522 x 240 x 222 mm	59 kg





## Jet-ski 12V AGM battery

**69142**

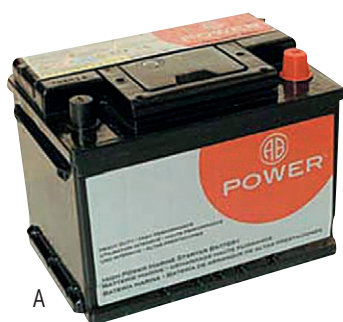
Designed to withstand sensitive environments, this AGM battery is ideal for jet-skis.

- Maintenance free.
- Fully sealed case, without gas release.
- Compact size.
- Long service lifetime.
- Low self-discharge rate.
- High cold cranking Amps.



Ref.	Capacity C20	Cold cranking Amps (-18° C)	Dimensions (L x W x H)	Weight
<b>69142</b>	18 Ah	CCA 270 A (EN)	175 x 87 x 155 mm	4.8 kg

## Lead-acid Calcium batteries



A



B



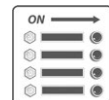
C

### Lead-acid calcium batteries

Ready for use and extremely reliable, the AB Power batteries are leak-proof up to 45°. Charge voltage : 14.4 V without boost / 15.1 V with boost. Sealed, maintenance-free.



Ref.	Type	Capacity	Cold Cranking Amps (-18°)	Dimensions (L x W x H)	Weight	Charge indicator
A <b>475565</b>	Engine starting	60 Ah	540 A	243 x 175 x 175 mm	13.5 kg	✓
<b>183887</b>		72 Ah	640 A	278 x 175 x 175 mm	15.5 kg	✓
B <b>62274</b>	Engine starting and service battery	86 Ah	640 A	257 x 172 x 220 mm	21 kg	✓
<b>183884</b>		110 Ah	720 A	330 x 172 x 242 mm	24 kg	✓
<b>67626</b>		140 Ah	800 A	506 x 182 x 210 mm	36 kg	-
C <b>67627</b>		180 Ah	1000 A	507 x 212 x 210 mm	43.5 kg	-
<b>67628</b>		225 Ah	1150 A	509 x 274 x 218 mm	55.8 kg	-



## Lithium battery

### 12 V Lithium LFP battery (Lithium Fer Phosphates)

Far surpasses all other technologies for servicing applications thanks to their unmatched durability. With their internal BMS, for a simple use, they can easily replace conventional lead-acid batteries.

- No loss of performance throughout its lifetime.
- Much faster recharging than with a conventional battery.
- Increased autonomy during heavy use.
- Voltage remains high, even at high discharge.
- Wide operating temperature range (-20° to 60°).
- 2 to 3 times lighter.
- Durability : more than 5000 cycles at 50 % discharge.

Ref.	Capacity C20	Dimensions (L x W x H)	Weight
A <b>69138</b>	54 Ah	229 x 138 x 217 mm	6.7 kg
B <b>69139</b>	84 Ah	260 x 169 x 218 mm	10.2 kg
C <b>69140</b>	100 Ah	328 x 172 x 220 mm	13.1 kg
D <b>69141</b>	216 Ah	522 x 238 x 220 mm	28.1 kg



A



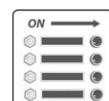
B



C



D



# EZ Elec battery switch unit

**EZ Elec**

The EZ Elec unit was developed by the Plastimo R & D team in cooperation with the most prestigious European boatbuilders. In addition to addressing the battery switch function on deck, it also brings **innovative solutions to mounting issues** : only one operator is required to install our EZ units, generating substantial labour and time saving for the boatbuilder.

A solution that combines **efficient installation and perfect integration** that matches the boat design and style.

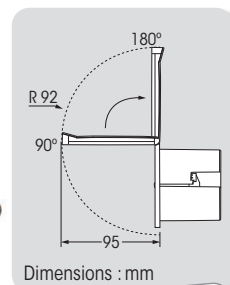
- **Comfort and safety** : Splashproof when closed.
- **Stylish design** : Round or square versions with a choice of 2 colours to match stylishly and fit snugly in any deck or transom of sail and power boats, for a clean uncluttered look.
- **Durable materials** : ASA/ABS rigid cover. UV-resistant cover withstands temperature variations.
- ABS built-in housing. Maintenance free.
- **Premium components** : A4 Torx screws.

Complete ready-to-use units, including a **100 A – 12 V unipolar kill cord (500 A. for 10 sec. max., starting cycle)** and a removable key.

Model	White	Chrome
Round cover	<b>67214</b>	<b>68780</b>
Square cover	<b>67215</b>	<b>68781</b>
Spare key	<b>13316</b>	<b>13316</b>



**INNOVATION BY PLASTIMO**



See EZ mounting principle on following page.



# Electrical panels

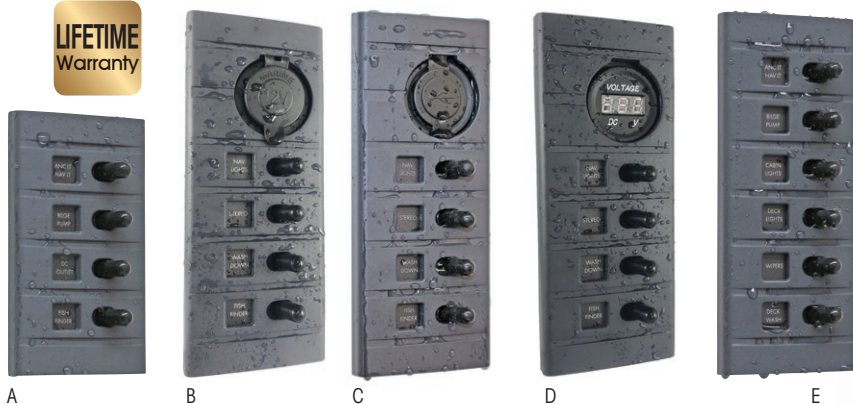
12 Volt water resistant panels, extremely reliable. Compact : take up less space than comparable competitive products. Very functional and soft green backlit to identify switch functions easily.

**connex**  
HARNESSING WIRE

Adhesive labels and fixing screws included.

Made in New Zealand

**LIFETIME Warranty**



Compliant with RoHS European directive (2002/95/CE), stands for Restriction of Hazardous Substances (10 substances).

## Switch panel

Available with switch and fuse.

- Fuse rating 15 Amp. max.
- A red LED light indicates fuse blown. Replacement is easy from removable front facia.
- One piece back plate and rubber switch boots ensure water resistance.



Fuse included : (3 x 5 A) + (3 x 10 A).

Model	Ref.	Dimensions W x H
A 4-way switch panel	<b>66991</b>	68 x 119 mm
B 4-way switch panel + 12 V	<b>66992</b>	68 x 165 mm
C 4-way switch panel + USB	<b>66993</b>	68 x 165 mm
C 4-way switch panel + USB + ON/OFF/TEMP*	<b>68777</b>	68 x 165 mm
D 4-way switch panel + VOLT	<b>66994</b>	68 x 165 mm
E 6-way switch panel	<b>66995</b>	68 x 165 mm

TEMP (temporary) : ideal to monitor bilge pumps.



## Circuit-breaker panel

With red LED to indicate the activation of a circuit breaker. 2-year warranty.

Fuse included :

- **68778** : (1 x 5 A) + (2 x 10 A) + (1 x 15 A).
- **68779** : (2 x 5 A) + (2 x 10 A) + (3 x 15 A) + (1 x 20 A).

Circuit-breakers	Ref.	Dimensions W x H
A 4	<b>68778</b>	106 x 122 mm
B 8	<b>68779</b>	106 x 213 mm



# Water applications on deck



The EZ Water range was developed by the Plastimo R & D team in cooperation with the most prestigious European boatbuilders. In addition to addressing all water applications on deck, it also **brings new innovative solutions to mounting issues** : only one operator is required to install our EZ units, generating **substantial labour and time saving for the boatbuilder**.

**EZ Water : a range that combines efficient installation and perfect integration** that matches the boat design and style thanks to the choice of shape and colour.

- The EZ water series comes as complete units, including all operational parts.
- Also available as empty housing units.
- The deck shower unit accepts most shower of the market.



All essential water functions on deck :

- **Comfort and safety** : Splashproof when closed.
- **Stylish design** : Round or square versions with a choice of 3 colours to match stylishly and fit snugly in any deck or transom of sail and power boats, for a clean uncluttered look.
- **Flexibility\*** : Flexible cover, unbreakable in case it gets snagged with crew moving about the deck.
- **Durable materials** : ASA/ABS rigid cover or thermoplastic elastomer flexible cover. UV-resistant cover withstands temperature variations. ABS built-in housing. Maintenance free.
- **Premium components** : Stäubli connectors and A4 Torx screws.



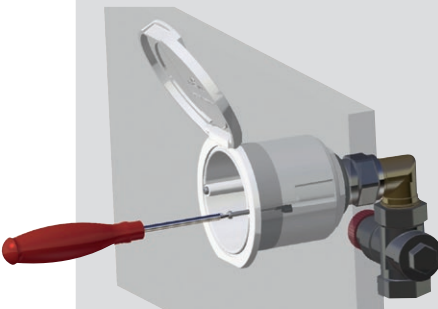
\* FLEXIBLE COVER.



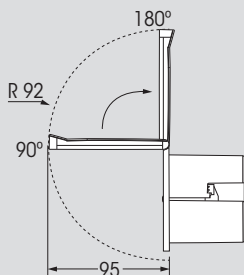
## It's so EZ !

The clever principle of self-clamping wing lugs eliminates the need to drill 4 holes for fixing screws. The Plastimo innovation consists in integrating originally the A4 Torx stainless steel screws into both sides of the housing, and connecting these screws to self-clamping wings : flush installation in transom or deck only requires a  $\varnothing 70$  mm hole and tightening of 2 screws from the front of the housing. As screws get tightened, both clamping wings will flip up and pull tight against the back of the bulkhead. This extremely simplified installation process is carried out by one single operator.

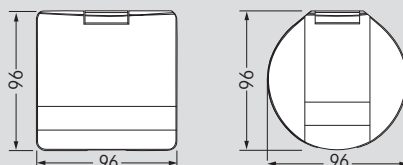
**INNOVATION BY PLASTIMO**



Housing requires minimal depth for installation.



Dimensions : mm



EZ range extension now includes Electrical applications.

**EZ Elec**



# EZ Water

Complete range for all essential water functions on deck :



Deck shower



Mixer tap



Fresh water inlet



Sea or fresh water outlet

The EZ Water range is composed of complete, ready-to-use functional units. Also available as empty housing units.

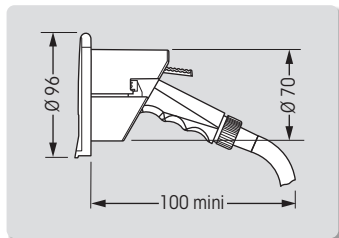
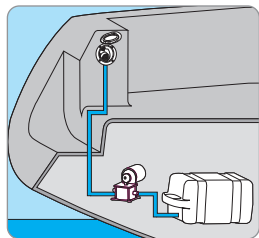


## Unbreakable flexible cover

**Unbreakable** in case it gets snagged with crew moving about the deck. Material : thermoplastic elastomer.

UV-resistant TPU, withstands temperature variations.

Available in round and square versions, white colour.



## Deck shower



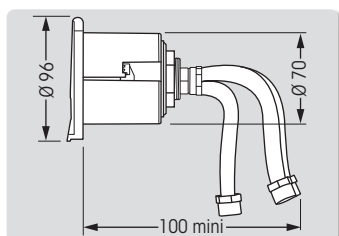
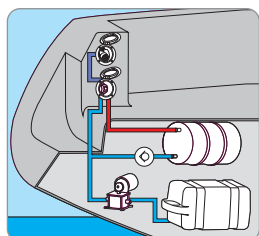
### Unit includes :

- The ABS flushmount housing with splashproof cover. Rigid cover : ASA / ABS or flexible cover : thermoplastic elastomer.
- A chrome or white shower head.
- 3 m hose.

The shape of the housing has been contoured specifically to avoid the showerspray being accidentally activated. Safe opening and closing prevent the shower hose from uncoiling and potentially getting caught in the propeller. Accepts most existing shower heads.

SHOWERHEAD + 3 m hose	Model	Rigid			Flexible
		White	Chrome	Black	White
WHITE	Round	<b>67202</b>	<b>67580</b>	<b>67542</b>	<b>69143</b>
	Square	<b>67203</b>	<b>67581</b>	<b>67543</b>	<b>69144</b>
CHROME	Round	<b>67592</b>	<b>67596</b>	<b>67594</b>	<b>69171</b>
	Square	<b>67593</b>	<b>67597</b>	<b>67595</b>	<b>69172</b>
Single housing (empty)	Round	<b>67312</b>	<b>67578</b>	<b>67540</b>	<b>69155</b>
	Square	<b>67313</b>	<b>67579</b>	<b>67541</b>	<b>69156</b>

White and Chrome covers : white housing - Black cover : black housing.



## Mixer tap

### Unit includes :

- The ABS flushmount housing with splashproof cover. Rigid cover : ASA / ABS or flexible cover : thermoplastic elastomer.
- A chromed brass mixer tap.
- 20 cm hose (3 connectors).



MIXER TAP + 20 cm 3-hose	Model	Rigid			Flexible
		White	Chrome	Black	White
CHROME	Round	<b>67204</b>	<b>67582</b>	<b>67544</b>	<b>69145</b>
	Square	<b>67205</b>	<b>67583</b>	<b>67545</b>	<b>69146</b>
Single housing (empty)	Round	<b>67598</b>	<b>67602</b>	<b>67600</b>	<b>69157</b>
	Square	<b>67599</b>	<b>67603</b>	<b>67601</b>	<b>69158</b>

White and Chrome covers : white housing - Black cover : black housing.





## Fresh water inlet

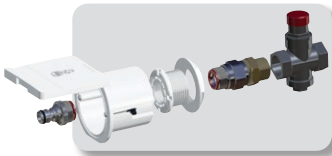
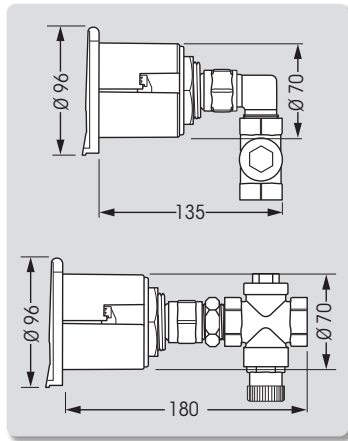
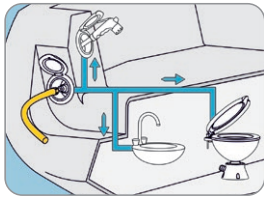
Perfect connection between the boat's water network and the shore water supply : it becomes easy to cook or have a shower when at the dock, without using water from the tanks (not suitable for filling the water tanks).



### Unit includes :

- The ABS flushmount housing with splashproof cover. Rigid cover : ASA / ABS or flexible cover : thermoplastic elastomer.
- A pressure regulator which accepts up to 7.5 bar (108 PSI) shore supply and delivers a 3 bar\* (43 PSI) working pressure, compatible with most appliances and equipment on board.
- A non-return valve.
- A male quick-coupling fitting for garden hose connection.
- Male 3/4" threaded connector to the boat's water system.
- Components sealed with silicone

\*adjustable 1 to 4 bar (15 to 60 PSI)



WATER INLET	Model	Rigid			Flexible
		White	Chrome	Black	White
Elbow connector	Round	<b>67206</b>	<b>67584</b>	<b>67546</b>	<b>69147</b>
	Square	<b>67207</b>	<b>67585</b>	<b>67547</b>	<b>69148</b>
Straight connector	Round	<b>67208</b>	<b>67586</b>	<b>67548</b>	<b>69149</b>
	Square	<b>67209</b>	<b>67587</b>	<b>67549</b>	<b>69150</b>
Single housing (empty)	Round	<b>67310</b>	<b>67576</b>	<b>67538</b>	<b>69159</b>
	Square	<b>67311</b>	<b>67577</b>	<b>67539</b>	<b>69160</b>

White and Chrome covers : white housing - Black cover : black housing.

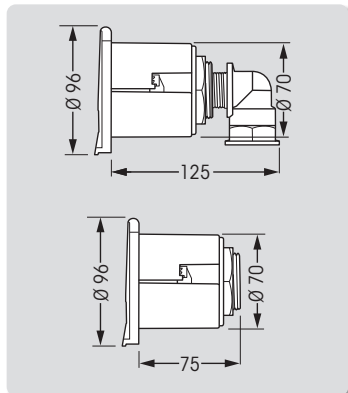
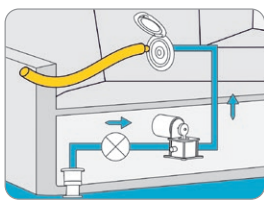


## Sea or fresh water outlet

Used in conjunction with a pump and a thru-hull fitting, the EZ water outlet produces pressure sea or fresh water on the deck (to wash the deck, rinse the fish...).

### Unit includes :

- The ABS flushmount housing with splashproof cover. Rigid cover : ASA / ABS or flexible cover : thermoplastic elastomer.
- A Stäubli female quick-coupling fitting with integrated non-return valve, for connection to a garden hose. Chromed brass construction with st. steel bearings for optimum corrosion resistance.
- A locking flange.
- Male 3/4" threaded connector to the boat's water system.
- Components sealed with silicone.



WATER OUTLET	Model	Rigid			Flexible
		White	Chrome	Black	White
Elbow connector	Round	<b>67210</b>	<b>67588</b>	<b>67550</b>	<b>69151</b>
	Square	<b>67211</b>	<b>67589</b>	<b>67551</b>	<b>69152</b>
Straight connector	Round	<b>67212</b>	<b>67590</b>	<b>67552</b>	<b>69153</b>
	Square	<b>67213</b>	<b>67591</b>	<b>67553</b>	<b>69154</b>
Single housing (empty)	Round	<b>67310</b>	<b>67576</b>	<b>67538</b>	<b>69159</b>
	Square	<b>67311</b>	<b>67577</b>	<b>67539</b>	<b>69160</b>

White and Chrome covers : white housing - Black cover : black housing.

# Sail handling accessories



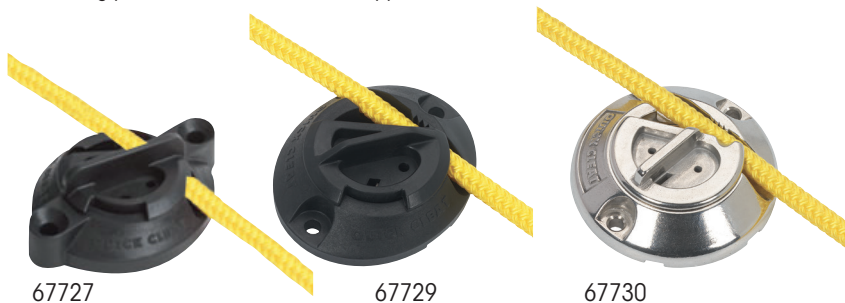
## Quick Cleats

Block the rope securely and take the stress out of tying knots. A great advantage when novice sailors are aboard or when you need quick hold or rapid removal of lines.

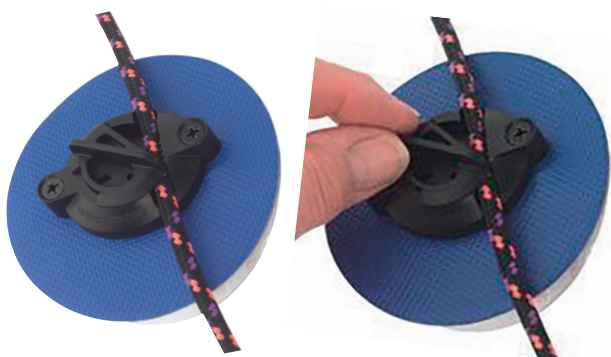
Securely hold fenders, tender and painter lines, RIBs, buckets, boat gear and equipment...

Max. rope Ø 10 mm.

Standard model in Zytel® nylon composite or **heavy duty version in 316 stainless steel** suitable when increased resistance is required, including professional and workboat applications.



Ref.	Line Ø	Material	SWL
<b>67727</b>	6 mm max.	Zytel® resin	30 kg
<b>67729</b>	6 - 10 mm	Zytel® resin	70 kg
<b>67730</b>	6 - 10 mm	316 st. steel	540 kg



## Quick Cleat for RIBs and inflatables 67728

Specific version for Hypalon® tenders and inflatables. Cleat has same features as ref. 67727 model in Zytel® and comes on a Ø 100 mm Hypalon® pad that can be glued on the RIB tube.

- Multi-weather adhesive tested up to +45° C.
- Max. rope Ø 6 mm.
- SWL : 30 kg.

## Ratchet block 67731

Low friction and excellent longevity designed for **mainsheet systems and spinnaker sheets on boats up to 9 m (30')**.

Allows sailors to hand hold loaded lines and offer balance between holding power and controlled easing.

Also equipped with a stainless steel lever that locks the swivel head if desired.

Side plates manufactured from a composite of high-density nylon and glass fibre reinforced polymer ; all UV-ray protected.

Internal components are 316 stainless steel and **12-faced aluminium sheave anodised in gunmetal silver.**

- Max. line Ø : 10 mm.
- Dimensions: 80\* x 58 x 24 mm (H x W x thick).

\* Height of block alone excluding swivel.

- Sheave dimensions : 13 x Ø 55 mm.
- Weight : 135 g.
- SWL : 300 kg.
- Break load : 1200 kg.



# Splicing needles

## Baby Splice & Easy Splice

A balanced and lightweight tool that enables faster and easier rope splicing on small lines. Simple to use and totally safe handling.

Ref.	Model	Includes	Max. rope Ø
<b>67726</b>	Baby Splice	Hand tool + 3 needles	4 mm
<b>67725</b>	Easy Splice	Hand tool + 4 needles	5 mm





# Aluminium deck hatches



Building on the success of its satin aluminium frame and acrylic glass hatches, Plastimo extends its range with **100 % aluminium** models -with solid no see-through cover.

Constantly responsive to boatbuilder's needs, the Plastimo R&D has developed a specific design that replaces the see-through acrylic glass by a solid aluminium panel, with the same easy installation that is so popular with OEM partners.

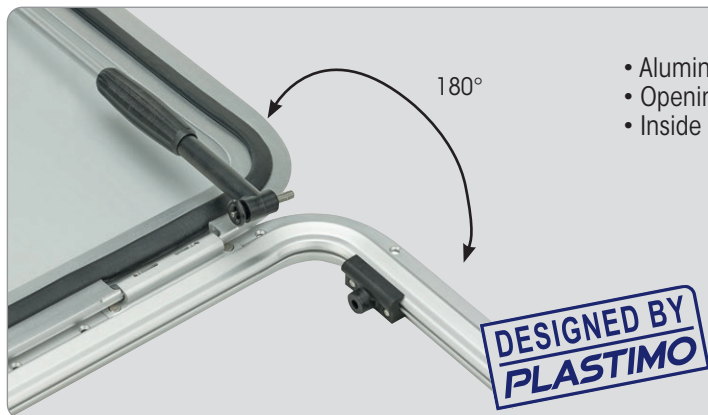
This solid aluminium hatch, fully walkable version is particularly **suitable for high traffic deck and designs where sturdiness prevails** over light inside.



Deck hugging design.  
Anodised aluminium or raw aluminium finish ready-to-paint and create a homogeneous overall deck.

### Opening device :

The ergonomic shape of the handles allows comfortable space for an excellent prehension. They feature a lock catch which prevents breaking in from outside. No need to fit any other locking system from outside.



- Aluminium invisible hinges.
- Opening possible up to 180°.
- Inside lock catch system.

All models are equipped with adjustable stay. Adjustable opening is as simple as releasing the stay to obtain the right position.



Navigation	Features	Lid	Lower frame	Assembly	CE areas for location onboard
Coastal or blue water cruising	Deck-hugging profile, opens outwards with stays	Extrusion	Extrusion	With screws	II, III & IV All categories

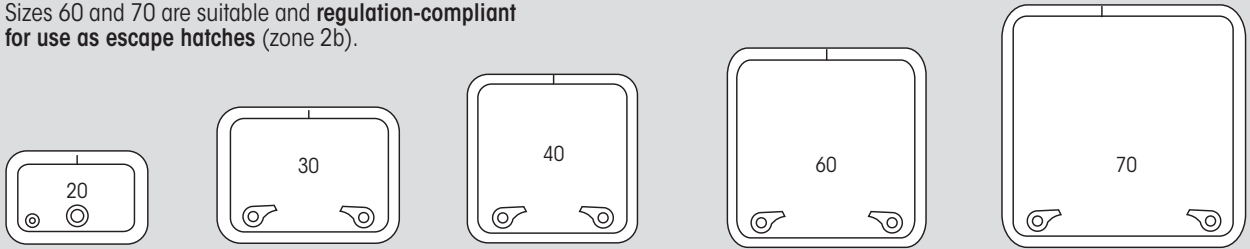
### Areas on board as per 94/25 EC standard :

- Zone I : hull above waterline
- Zone II : deck, coachroof, cockpit and transom
- Zone IIb : hull sections other than area I
- Zone III : superstructure, deck and cockpit
- Zone IV : cockpit and deck, rear sides of superstructure.

## All aluminium deck hatches

Size	Raw aluminium	Anodised aluminium	External dimensions		Internal dimensions		Cut-out dimensions		Weight kg
			mm	in.	mm	in.	mm	in.	
20	-	<b>68991</b>	407 x 262	16 x 10.3	345 x 200	13.6 x 7.9	347 x 202	13.7 x 8	3.1
30	<b>67923</b>	<b>68992</b>	517 x 387	20.4 x 15.2	455 x 325	17.9 x 12.8	457 x 327	18 x 12.9	5.2
40	<b>68782</b>	<b>68993</b>	481 x 481	18.9 x 18.9	419 x 419	16.5 x 16.5	421 x 421	16.6 x 16.6	5.8
60	<b>67924</b>	-	567 x 567	22.3 x 22.3	505 x 505	19.9 x 19.9	507 x 507	20 x 20	7.4
70	<b>67925</b>	<b>67929</b>	687 x 687	27 x 27	625 x 625	24.6 x 24.6	627 x 627	25 x 25	10.2

Sizes 60 and 70 are suitable and **regulation-compliant** for use as **escape hatches** (zone 2b).



### Option

Interior trim :

- Size 20 : 64175
- Size 30 : 64176
- Size 40 : 64177

- Size 60 : 64180
- Size 70 : 65473

## Stainless steel hatch

316 L stainless steel watertight hatch, designed primarily for livewells on recreational or professional fishing boats. Equally suitable for workboats or any application where **watertightness combined with sturdiness** is a prerequisite feature.

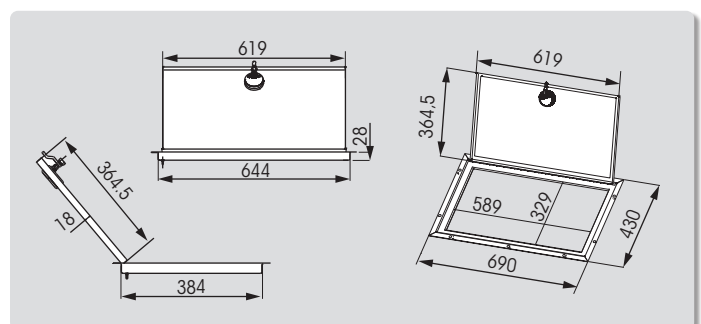


Hatch can be pimped with a teak panel for awesome deck style.

### 316 L st. steel hatch 66927

**DESIGNED BY  
PLASTIMO**

- Flushmount design suitable for RIBs or any power boat.
  - 2.5 mm thickness : hatch is walkable with no mechanical strain.
  - Perfectly watertight when closed.
  - Premium st. steel fastening system contributes to watertightness.
  - Overall dimensions on deck : 690 x 430 mm.
- Hatch comes with a kit of anti-slip pads and 3 M® double-sided adhesive tape.





# Gaz barbecue set

MAGMA



Ideal to enjoy the pleasure of grilling during your outings at sea. The wide range of equipments will help you treat your guests at sea as well as on the quay.

## Barbecue Marine Kettle®

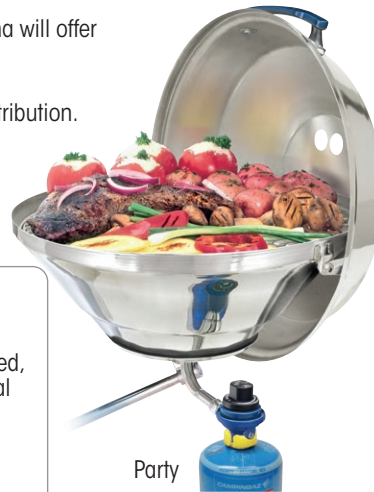
These patented Marine Kettle® all stainless steel by Magma will offer the safety, durability and performance expected from your onboard barbecue.

- Radiant burner system for perfect and constant heat distribution. Reduces flame formation.
- Swivel venturi tube for easy, quick and safe gas cartridge change.
- Removable grease trap, designed to protect and optimise the air supply to the burner.

Delivered with :

- A control / valve regulator for disposable Campingaz® (CV270 / CV270 Plus / CV470 or CV470 Plus) fuel canister. Can easily adapt to the on board, pre-regulated, low pressure propane/butane systems (use an optional control valve Ref. 410042).
- L-bracket and clamp.
- Grill.

Mountings are available as options.



Party



Party 3

With the Marine Kettle® 3, you can benefit from electronic ignition and the warming function.

Marine Kettle®	Ignition	Function	Capacity	Ref.	Grill Ø	Cooking area	Dim open* Ø x H	Dim closed* Ø x H	Weight
Original	Manual	Grill	1-4 people	<b>12495</b>	33 cm	856 cm²	37.8 x 43.5 cm	38.4 x 32.4 cm	3.5 kg
Party	Manual	Grill	4-8 people	<b>410011</b>	38 cm	1140 cm²	43.3 x 46.4 cm	43.5 x 34.9 cm	4.2 kg
Original 3	Electronic	Grill + stove	1-4 people	<b>69017</b>	33 cm	856 cm²	40.8 x 43.7 cm	39.1 x 32.7 cm	4.5 kg
Party 3	Electronic	Grill + stove	4-8 people	<b>69018</b>	38 cm	1140 cm²	44.3 x 49.2 cm	43.5 x 37.8 cm	5.5 kg

\* Dimensions with regulator, without leg or mount.

## Accessories

**Mounting for Marine kettle® grills**  
Securing round Marine Kettle® grills on board



12497 - 12498

The **410025** mounting includes the Pow'rGrip™ technology : locking by tightening the wing-nut.



Type of mounting	Ref.	Features	Code
On rail	<b>12497</b>	Ø tube : 22.2 à 25.4 mm. Quick connection. Stainless steel and anodized aluminium.	A10-080
On rail	<b>12498</b>	Ø tube : 28.6 to 31.8 mm. Quick connection. Stainless steel and anodized aluminium.	A10-085
On flush-mount od holder	<b>410025</b>	Pow'rGrip™. Quick connection. Stainless steel and anodized aluminium.	A10-175
On pedestal	<b>67886</b>	Double locking stowable pedestal mount. Anodized aluminium.	A10-184
-	<b>67885</b>	Water cap for Magma pedestal 67886.	12-181
-	<b>67890</b>	Spare base for Magma pedestal 67886.	10-187



**Protective cover for round Marine kettle® grills**  
Made of water and fade resistant solution dyed acrylic to resist damage from sunlight and mildew.

For model	Ref.	Code
Original	<b>42372</b>	A10-191PB
Party	<b>61120</b>	A10-492PB

**Grill / plancha round reversible griddle**  
**69021**

Aluminium two-sides griddle pan Ø 30 cm. :

- A ribbed side for grilling.
- A smooth surface "plancha".

Corflon Ultra\* "Non-Stick" coating.



# Rectangular barbecues

Delivered with a control / valve regulator for disposable Campingaz® (CV270 / CV270 Plus / CV470 or CV470 Plus) fuel canister.

The Adventurer Cabo™ and Gourmet will offer the safety, durability and performance expected from your onboard barbecue.

- Optimized combustion system for perfect heat distribution.
- Stainless steel shell, food grade quality and superior corrosion resistance.
- The swivelling regulator allows quick and safe fuel canister exchanges.
- Can easily adapt to the on board, pre-regulated, low pressure propane/butane systems (use an optional control valve).
- Locking Side Grease Tray.
- Includes fold away legs, removable (other mounts available as optional extra).

Accessories on the following page.

## Adventurer Cabo™ Barbecue 69015

Ideal for around 4 to 6 people. Cooking area : 1045 cm<sup>2</sup>.

- Turbo burner premixes air and fuel for a consistently hot blue flame.
- Radiant plate assembly for even perfect heat distribution.
- Burner time : 2-4 hours with a 450 g canister.
- Dimensions - open \* (L x l x H) : 56.8 x 31.8 x 41 cm.
- Dimensions - closed \*\* (L x l x H) : 56.8 x 29.9 x 25.7 cm.
- Weight : 5.4 kg.

\* Dimensions with regulator, without leg or mount.



Adventurer Cabo™



Gourmet Newport II™

## Gourmet Barbecue

The Gourmet range stands out by its elegant design and its Piezo electronic ignition.

- Gas, dual radiant plate.
- Piezo-electronic ignition (alkaline AAA battery included).
- Lockable, balanced. Full length stay cool handle and thermometer.
- Lower part in stainless steel double-lined.



Thermometer



Gourmet Catalina II™ IR

### Also included

on the Gourmet Catalina II™ IR version :

- Features infrared radiant screens : provides intense even heat for searing. Reduces flare-up. Eliminates blows outs.
- Two grilling areas, ideal for slow cooking or keeping warm.
- Ultra high temp glass viewing window integrated in the cover.

	Gourmet Newport II™	Gourmet Catalina II™ IR
Ref.	69016	65212
Capacity	4-6 people	6-8 people
Cooking area	1045 cm <sup>2</sup>	2032 cm <sup>2</sup>
First grill	45.7 x 22.9 cm	45.7 x 30.5 cm
Second grill	-	45.7 x 14 cm
Opened dimensions* (L x l x H)	57.8 x 29.9 x 41.9 cm	57.8 x 40 x 48.3 cm
Closed dimensions* (L x l x H)	57.8 x 29.9 x 29.5 cm	57.8 x 37.5 x 36.2 cm
Weight	8.7 kg	12.2 kg

\* Dimensions with regulator, without leg or mount.

## Accessories

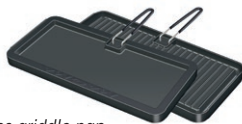
### Stainless steel serving self 70185

Board in high density polyethylene, UV stabilized. Food grade stainless steel. Conveniently stores inside of your barbecue. Dimensions : 43.9 x 20.9 x 3.6 cm.



### Grill / rectangular plancha reversible griddle 69020

Aluminium two-sides griddle pan L 30 cm :  
- A ribbed side for grilling.  
- A smooth surface "plancha".  
Cortlon Ultra™ "Non-Stick" coating.



Protective cover for rectangular Marine kettle® barbecue  
Made of water and fade resistant solution dyed acrylic to resist damage from sunlight and mildew.

For BBQ	Ref.	Code
Adventurer Cabo™ Gourmet Newport II™	69019	A10-990JB
Gourmet Catalina II™	65214	A10-1290JB

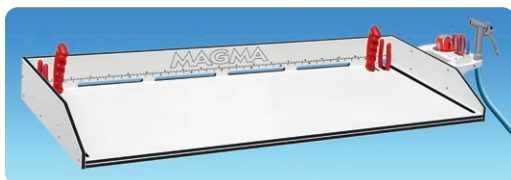




# Cutting boards

MAGMA

CE



## Cutting board

Designed for bait cutting and fish cleaning/filleting. Ideal for food preparation.

- Food Grade.
- UV stabilized high density polyethylene.
- Features a handy ruler, side channels and slotted back for drainage.

Model	Ref.	Mounts*	Description	Dimensions	Weight
Mate™	410026	Single	2 knife holders + 1 holder for plier/cooking utensils.	50.5 x 32.4 cm	2.5 kg
First Mate™	410032	Twin	2 knife holders + 1 holder for plier/cooking utensils.	78.4 x 31.8 cm	4.2 kg
Tournament	67882	Twin	4 knife holders + 2 holders for plier/cooking utensils.	120.6 x 49.5 cm	10.2 kg
Tournament	67883	-	Removable side holder.		

\* Mounting holders not included.

## Accessories

### Mounting for rectangular barbecues and cutting boards

Marine grade stainless steel tubing and anodized aluminium components. Unique quick disconnect system allows instant installation or storage after use without tools.



Spare parts available on [www.plastimo.com](http://www.plastimo.com)

\* SD (standard duty) : allow the use of the grill while anchored or moored. They should be stowed while underway.

\*\* HD (heavy duty) : designed to allow grilling underway. All fasteners for attaching either mount to Gourmet Series Grills are included with grill.

Type of mounting	Ref.	For tube	Mounts	Description	For barbecue	For cutting board Code
On horizontal rail	410029	Ø 22.2 à 25.4 mm	Single, SD*	Quick connection.	Gourmet Newport II™ Gourmet Catalina II™ IR Adventurer Cabo™	Mate™ T10-380
On horizontal rail	410040	Ø 22.2 à 25.4 mm	Twin, HD**	Quick connection. Can be used on curved rails.	Gourmet Newport II™ Gourmet Catalina II™ IR	First Mate™ Tournament T10-580
On horizontal rail	67884	Ø 38.1 mm	Twin, HD**	Quick connection. Can be used on curved rails.	Gourmet Newport II™ Gourmet Catalina II™ IR	First Mate™ Tournament T10-590
On vertical rail	65213	Ø 22.2 à 25.4 mm	Single, SD*	Quick connection. With LevelLock® adjustable all-Angle connector.	Gourmet Newport II™ Gourmet Catalina II™ IR Adventurer Cabo™	Mate™ T10-780
On flush-mount rod holder	410031	-	Single, HD**	Quick connection. With LevelLock® adjustable all-Angle connector.	Gourmet Newport II™ Gourmet Catalina II™ IR Adventurer Cabo™	Mate™ T10-355
Flush-mount	67887	-	Twin, HD**	Water drainage hole in the side of the socket.	Gourmet Newport II™ Gourmet Catalina II™ IR	First Mate™ Tournament T10-521



### LED light 62246

With clip and cover, resists to high temperatures. Smoke and weather-proof. Easy to clean. 9 V battery included

Fits all Magma barbecues.

### Low pressure control valve for Magma barbecue

Allows Magma barbecue to be connected to pre-regulated, LPG on-board systems. Replaces the original control valve regulator type 2.



Ref.	For barbecue	Code
410042	Adventurer cabo™ Gourmet Newport II™ Marine Kettle® et Kettle® 3	A10-220CE
65691	Gourmet Catalina II™ IR	A10-223CE

# Water sports

Plastimo has selected a complete range of water sports equipment from Spinera for you to enjoy, combining performance and pleasure. The pleasure of being at sea in complete safety with a wide choice of practices: kneeboard, wakeboard, water ski, towed buoy and Stand Up Paddle, Spinera meets the needs of the whole family.



## Kneeboard Blue Fantasy

**70149**

Easy and funny learning for the whole family. Ideal for beginners : easy start thanks to the handle hook.

- Stability and performance thanks to its padded support strap.
  - Comfort : plastic rotomolded, foam kneepad.
  - Moulded fins to ensure a good stability on the water.
- Dimensions : 1.26 m x 0.51 m.

For riders up to 100 kg.



## Wakeboard pack

**70150**

**Pack containing :**  
Performant and stable, ideal for beginners and intermediate riders who want to progress.

Ideal for learning how to jump and other tricks, predictable off the wake, easy to handle.



Adjustable from 38 to 46 EU sizes.

For riders up to 90 kg.

- 3 Rocker levels.
- For cable and boat practice.
- Length : 1.40 m.
- Shoes fitted with an open toe design : easy to put them on, easy adjustment with lace up and hook-and-loop fastener for a quick and optimal fit. One size.

## Water skis

Semi-parabolic shape: V-tunnel for stability and easy deep-water starts. Allows great carving turns. Coloured ABS plastic for better visibility in the water. Back strap for monoskiing.



## Water skis Junior Blue Danube 54"

**70152**

Ideal for young riders : children and teenagers. Comfortable and adjustable bindings. Length of skis : 1.37 m.

Adjustable from 33 to 40 EU sizes.

### Accessory



**attwood**

**Wide angle water sports mirror 67358**

Easy to install thanks to its universal support.  
Orientable up/down and right/left.  
Maximum safety : no blind spots thanks to the convex safety glass lens.



## Water skis Red Sea 67"

**70151**

Model especially designed for beginner to advanced riders. Comfortable and adjustable bindings. Length of skis : 1.07 m.

Adjustable from 37 to 47 EU sizes.

Plastimo strongly recommends wearing a lifejacket when practising watersports.

See Solva lifejacket ski 50 N page 10.

**TYPHOON**





# Towed buoys

## Common features

- Fully padded comfort handle grips with EVA knuckle guards.
- Valve for quick inflation and deflation.
- Rope connector and quick release system. (Except for Classic and Delta buoys).

## Wing 2 buoy



70141

Optimized wing for maximum fun. Heavy-duty 0.7 mm PVC bladder wrapped in 840-denier nylon cover.

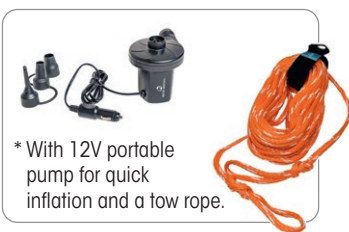
- 4 comfort handles.
- Inflated dimensions : 1.70 m x 1.63 m (L x W)



Classic 54



Delta 2



\* With 12V portable pump for quick inflation and a tow rope.

## Towed buoy

Heavy-duty 0.6 mm PVC bladder wrapped in 420-denier nylon cover.

Model	Ref. buoy only	Ref. complete pack*	Nb of handles	Nb of people	Deflated dimensions
Classic 54	<b>70133</b>	<b>70134</b>	2	1	Ø 137 x 43 cm
Delta 54	-	<b>70135</b>	2	1	137 x 150 x 43 cm
Delta 2	<b>70136</b>	-	4	2	145 x 190 x 43 cm



## Orientable towed buoy

Swivel in 2 positions : sofa or tank. Sitting or kneeling position. Neoprene protected seat.

- Heavy-duty PVC bladder wrapped in 420-denier (2 seats) and 840-denier (3 seats) nylon cover.

Model	Ref.	Nb of handles	PVC thickness	Inflated dimensions
Let's Go 2	<b>70137</b>	8	0.65 mm	157 x 168 x 74 cm
Let's Go 3	<b>70138</b>	12	0.70 mm	178 x 211 x 74 cm



## Heavy duty flat buoy

Heavy-duty PVC bladder wrapped in 420-denier (2 seats) and 840-denier (3 seats) nylon cover.

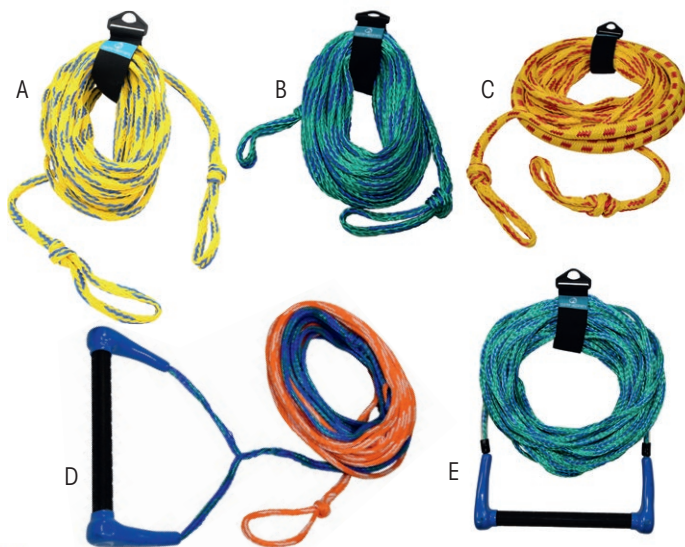
Model	Ref.	Nb of handles	PVC thickness	Deflated dimensions
Flight 2	<b>70139</b>	6	0.65 mm	Ø 178 cm
Flight 3	<b>70140</b>	8	0.70 mm	Ø 203 cm

# Accessories



## Tow rope

Ref.	Features	Length	Traction resistance
A <b>70142</b>	Compatible with 1 and 2 riders towable buoy	18 m	1080 kg
B <b>70143</b>	Compatible with 1 to 4 riders towable buoy	18 m	1860 kg
C <b>70144</b>	With damper. Compatible with 1 to 4 riders towable buoy	13 m + 2 m elastic	1860 kg
D <b>70145</b>	Compatible with skis / wake 2 sections with floating spreader	18 m + 4.50 m	680 kg
E <b>70146</b>	Compatible with skis « big V » with floating spreader	21 m	680 kg



## V-shape tow rope

Ref.	Features	Traction resistance
A <b>70147</b>	With float. Recommended for buoys.	1860 kg
B <b>70148</b>	With float winch. Maximum 1 seat buoys.	680 kg



# Stand Up Paddle

## Inflatable SUP pack

Multipurpose board for children and adults.

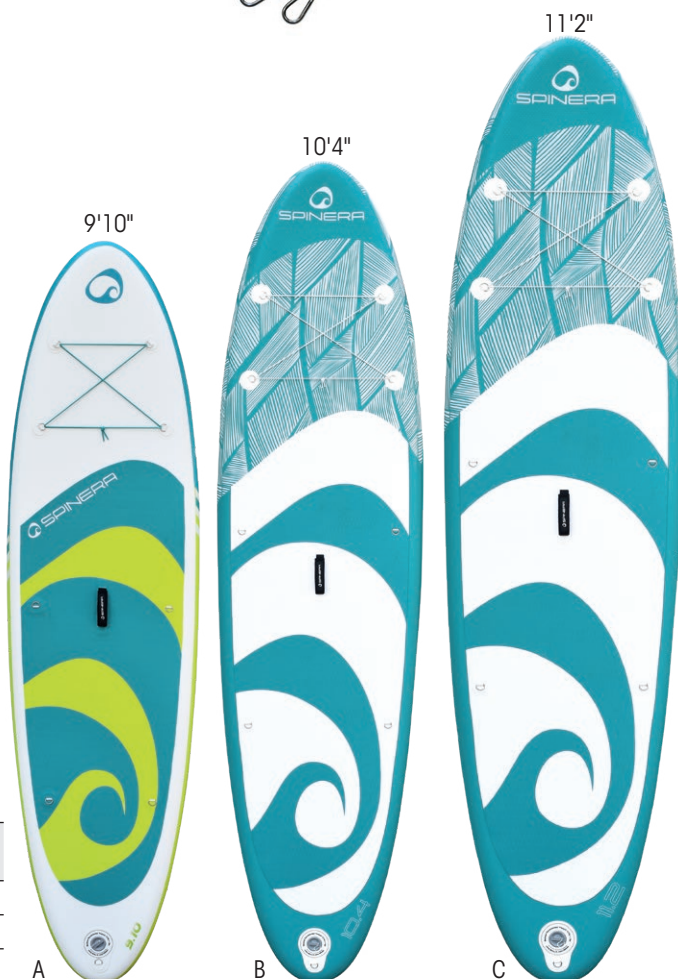
- Non-slip EVA padding.
- 1 removable fin.
- 1 carrying handle in the centre.
- Thickness : 15 cm.
- 1 leash attachment at the back.



The pack contains :

1 SUP, 1 paddle, 1 inflator, 1 backpack and 1 repair kit.

Ref.	Model	Riders up to	Dimensions (L x W)	Weight
A <b>70153</b>	Classic 9'10"	80 kg	300 x 76 cm	12.3 kg
B <b>70154</b>	Let's Paddle 10'4"	85 kg	315 x 82 cm	13.1 kg
C <b>70155</b>	Let's Paddle 11'2"	95 kg	340 x 82 cm	14.2 kg



## Options

### SUP High Pressure Inflator 12 V **70156**

Ideal for inflating SUP, buoys, dinghies...

- 16 PSI (1.1 bar).
- Air flow rate : 95 l/mn.
- Hose : 1 ml.
- Weight : 8.5 kg.
- Analogue pressure gauge.

Set the pressure beforehand, the inflator will automatically stop when the pressure is reached.



### SUP paddle **70157**

Very strong handle, aluminium tube.

- Thickness : 1.2 mm.
- Reinforced polyamide blades.
- Can be dismantled in 3 parts.





# Leaning posts



Any experienced boat angler knows that a leaning post is much more comfortable and efficient than a regular seat at the helm : it allows you to run the boat from both standing and sitting positions and lets you slide easily from behind the helm into the fishing action. A leaning post can also support a number of accessories that are helpful for anglers to have accessible at all times.

**3** year  
Warranty



## Original leaning post

Fishmaster, the specialist of high-end T-Top, proposes a leaning post in 6061-T6 aluminium, heat-treated to ensure maximum strength and corrosion-resistance while also providing a radiant finish.

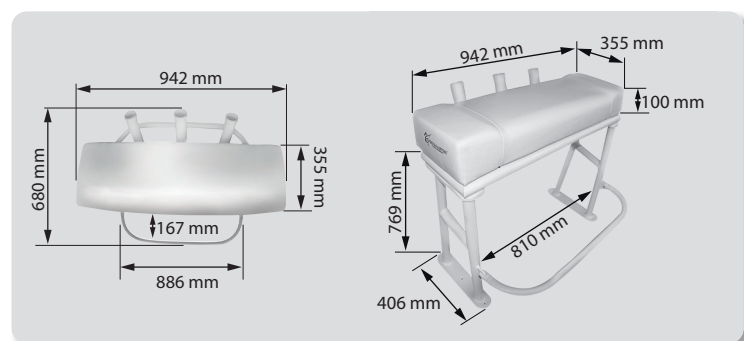
- Very sturdy framework constructed in Ø 48.2 mm marine grade aluminium tube. ABYC-H31\* compliant.
- Folding foot-rest.
- Seat : Heavy duty marine grade vinyl, tested to ASTM G21 specifications for mildew and UV resistance. Comfort is provided by closed cell foam, 69 mm thick in the centre, increased to 100 mm on the sides just like an automotive seat. Designed with waterfall front contoured edge so that seat is never soaked.
- 4 st. steel T-nuts included, to bolt the seat to the framework.
- 3 welded-in rod holders, 228 mm high, int. Ø 45 mm.
- Footprint : 942 x 406 mm.
- Weight : 20.4 kg.

\*American Boat & Yacht Council H-31 : standard related to the construction and the installation of fixed seats on board (cockpit, deck and helm).



Creates space for Igloo 72 cooler ref. 11782 or comparable ice chest, 810 mm wide maximum.

Framework	Upholstery	Ref.	Code
Natural bright aluminium	White seat	<b>67018</b>	SOF250A
Black matt aluminium	Black seat	<b>67032</b>	SOF250C-B
Off-white powder coated aluminium	White seat	<b>67017</b>	SOF250B-W



# Pro Series leaning post

Fishmaster offers a hi-end leaning post with matching curvature and style to complement the Pro-Series T-Top. Its modular design allows you to customize your own leaning post by choosing the comfort level you expect and the accessories that match your boating style.

Patent pending

5 year  
Warranty



## Pro Series leaning post

- Very sturdy framework construction in Ø 57 mm marine grade anodized aluminium tube, ABYC-H31\* compliant.
- Folding foot-rest.
- Footprint : 113.7 x 40.6 cm. Accommodates an Igloo 72 cooler ref. 11782 or comparable ice chest 810 mm wide maximum.
- Seat pad in heavy duty marine grade vinyl, tested to ASTM G21 specifications for mildew and UV resistance.
- Seat pad flips up for access to dry bag storage (bag is an option).
- Perfect matching style with T-Top Pro Series : pimp your boat and give it an awesome look while also adding extra leisure functionalities.

\* American Boat & Yacht Council H-31 : standard related to the construction and the installation of fixed seats on board (cockpit, deck and helm).

Choose your favourite aluminium structure : bright dipped natural finish, glossy off-white or matt black powder coated aluminium.  
Select the basic structure featuring seat alone or upgrade your installation by adding the optional grabrail or backrest.

Framework (seat structure alone, no cushion)	Ref.	Code
Natural bright aluminium	<b>67629</b>	SOF231A
Glossy off-white powder coated aluminium	<b>67630</b>	SOF231B
Matt black powder coated aluminium	<b>67631</b>	SOF231D
Cushion (seat pad)	Ref.	Code
Off-white seat cushion with black accent	<b>67638</b>	SOF268
Black seat cushion	<b>67639</b>	FM-SOF270B



Upgrade your leaning post comfort and functionalities by adding optional extras!



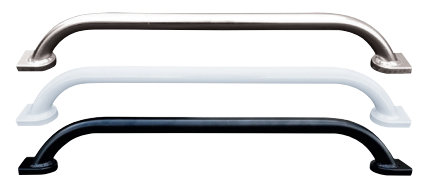
## Pro Series Deluxe backrest

Same finish and colours as the leaning post for a perfectly matching helm pod.

- Framework construction in Ø 57 mm marine grade anodized aluminium tube.
- 102° angled backrest for added comfort.
- Backrest cushion in marine grade vinyl.
- 4 rod holders / rocket launchers with plastic liner to protect fishing equipment.
- 3 stainless steel cup holders.



Deluxe backrest frame (no cushion)	Ref.	Code
Backrest only, natural bright aluminium	<b>67632</b>	SOF260A
Backrest only, off-white aluminium	<b>67633</b>	SOF260B
Backrest only, black aluminium	<b>67634</b>	SOF260D
Cushion (for backrest)	Ref.	Code
Off-white backrest cushion with black accent	<b>67640</b>	SOF269
Black backrest cushion	<b>67641</b>	FM-SOF270A



## Grabrail

Mounts behind the seat as holding rail. Use grabrail alone : cannot be mounted in conjunction with Deluxe backrest.

Grabrail	Ref.	Code
Natural aluminium	<b>67635</b>	SOF261A
Off-white aluminium	<b>67636</b>	SOF261B
Matt black aluminium	<b>67637</b>	SOF261D



## Storage bag for Pro Series

**67642**

Waterproof insulated storage bag provides space to store freshly-caught fish, tackle or drinks right beneath your seat. Simply strap the dry storage bag to the leaning post tubing.

- 8 straps to secure the bag and zip closure to keep contents safe.
- PVC coated 600D polyester material.
- Washable PVC 500D interior lining.
- 8 mm thick insulating PE foam.





# T-Top



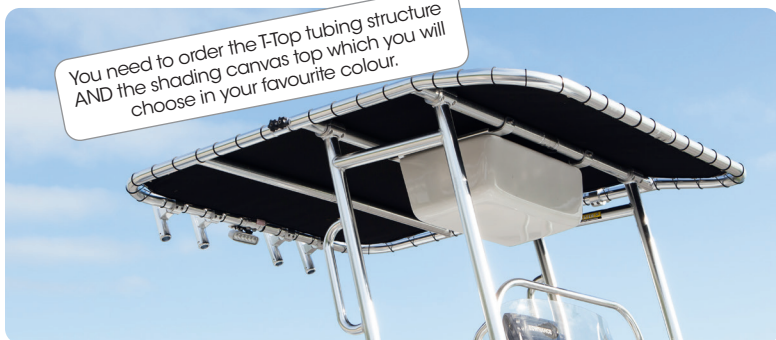
**5** year  
Warranty



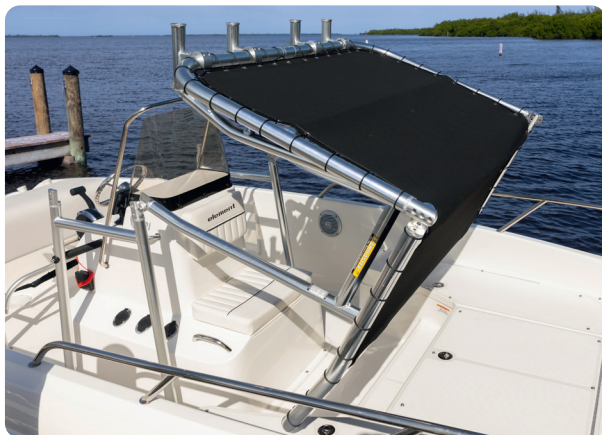
## T-Top Original

### T-Top Original

- Polished bright dipped aluminium : **66230**
- Glossy off-white powder coated aluminium : **67719**
- Matt black powder coated aluminium : **67513**



You need to order the T-Top tubing structure AND the shading canvas top which you will choose in your favourite colour.



74

Ø 48 mm polished and anodized aluminium tubing structure. Fits any center console boat with a console 60 to 130 cm wide.

- Folds down without tools for dry stack or garage storage, trailering or low bridge clearance. Can be easily installed by a do-it-yourselfer or by a refit yard.
- Integral grab handles port and starboard provide a comfortable grip. Lateral support bars for extra strength.
- Guaranteed strong, stiff and silent.
- Additional storage capabilities with optional accessories.
- Weight : 45 kg (includes metal frame and canvas-top).
- Top length x width 2.03 m x 1.52 m / Headroom : 2 m.
- Footprint and additional dimensions : on [www.plastimo.com](http://www.plastimo.com)

### Shading canvas for T-Top

Sunbrella® acrylic fabric provides efficient weather protection.

Colour	Reference
<b>Black</b>	<b>66244</b>
<b>Pacific blue</b>	<b>66245</b>
<b>Navy blue</b>	<b>66246</b>
<b>Jockey red</b>	<b>66247</b>
<b>Burgundy red</b>	<b>66248</b>
<b>Forrest green</b>	<b>66249</b>
<b>Sunflower yellow</b>	<b>66250</b>
<b>Turquoise blue</b>	<b>66251</b>
<b>Cadet grey</b>	<b>66252</b>



### Options



**Quick release knobs : 66231**  
Replace bolts for fastest fold down process. Delrin and stainless steel construction. 2 x 4 knobs recommended for each T-Top.

**Stabilizer bar for T-Top : 66232**  
Adds extra stability, also works as a grab handle. Install high or low, on front legs or rear legs. Polished anodized tubing.





**5** year  
Warranty



## T-Top Pro series

Premium quality 6061 T6 aluminium structure, polished and anodized. Fits any center console 60 to 130 cm. Folds down instantly without tools : ideal for dry stack or garage storage. Sunbrella® acrylic canvas, the iconic fabric in terms of weather protection and durability.

And so much more to enjoy with the multiple storage possibilities provided by bespoke accessories.

### T-Top Pro series

- Polished bright dipped aluminium : **67015\***
- Glossy off-white powder coated aluminium : **67016\***
- Matt black powder coated aluminium : **67273\***

\* T-Top tubing structure alone.

You need to add the shading canvas top and choose your favourite colour.

- Fits any center console from 60 to 130 cm.
- Folds down twice (2 articulations) : very compact once folded down.
- Support structure in Ø 57 mm premium aluminium : strong legs + lateral bars contribute to overall rigidity and sturdiness.
- Optimal weather protection : 3.25 m<sup>2</sup> canvas top, 1.57 m wide.

T-Top tubing structure is supplied without canopy. Choose your favourite colour and add the canvas ref. to your order.

### Shading canvas for T-Top Pro

Sunbrella® acrylic fabric provides efficient weather protection and unmatched durability.

Colour	Ref.
Black	67019
Pacific blue	67020
Navy blue	67021
Jockey red	67022
Burgundy red	67023
Forrest green	67024
Sunflower yellow	67025
Turquoise blue	67026
Cadet grey	67027



Most compact once folded down : 1<sup>st</sup> articulation at console height, 2<sup>nd</sup> articulation in canvas top rack. With no need for tooling, you adapt your boat to garage storage or dry stack height.



	T-TOP PRO	T-TOP ORIGINAL
Side support Ø	57 mm	48 mm
Canopy support rack Ø	48 mm	48 mm
Grab handles Ø	32 mm	32 mm
Canopy* (not included)	3.25 m <sup>2</sup> Sunbrella®, choice of 9 colours	3.06 m <sup>2</sup>
Folding capability	Folds twice	
Overall height	2.14 m	2.05 m
Canopy top width	1.57 m	1.52 m
Weight including canopy*	63 kg	45 kg
Footprint and additional dimensions	: see <a href="http://www.plastimo.com">www.plastimo.com</a>	

\* Canopy is not originally included. Must be ordered separately, in your favourite colour.



# Boat care

**Yachticon**  
just good care

## Cleaners



### Acrylic renovator 250 ml bottle : 2211181

Removes fine scratches from acrylic, polycarbonate and most other type plastic surfaces.  
Cleans off stains, salt deposits and hazing.  
**Biodegradable.**



### Acrylic cleaner 500 ml spray : 2211180

Cleans and restores shine and clarity to acrylic and polycarbonate without scratching. Leaves an antistatic protective film against new dust and dirt.  
Ideal for frequent use.  
**Biodegradable.**



### Adhesive and silicone cleaner 500 ml bottle : 2211179

Removes easily streaks of adhesive, wax, varnish, silicone, oil, grease or tar.  
Suitable for most surfaces.



### RIB's and inflatables cleaner 500 ml bottle : 2211177

Cleans and removes dirt, grime and oxidation stains.  
Rejuvenates colours and leave an anti-UV protective film.  
Suitable for all types of inflatables : rubber, PVC and Hypalon.

## Wax and polish



### Premium polish with Teflon® • 500 ml bottle : 2212135 • 400 ml spray : 2215267

High quality polish with Teflon® surface protector. Excellent protection for fibreglass, gelcoat and painted surfaces. Leaves a smooth and sleek surface and provides efficient durable protection against dirt.



### Hard Wax with Teflon® 400 ml spray : 2215214

High quality premium hard wax with Teflon® surface protector. Excellent protection for fibreglass, gelcoat and painted surfaces. Smooth and sleek surface. Efficient protection against dirt.  
Lasts much longer than conventional waxes.

## Engine



### Water absorber for diesel and petrol

**500 ml bottle : 2212123**  
(treats 500 L fuel)

Eliminates water and prevents the formation of condensation in the tank.  
Prevents corrosion and the formation of organic sludge in the tank and fuel system.  
Prevents the proliferation of bacteria and reduces costly repairs caused by water.



### Petrol additive 500 ml bottle : 2212143 (treats 250 L of petrol)

Boosts the performance of petrol engines and improves cold start.  
Certified for use with catalytic converters and turbos.  
Ensure that nozzles and fuel system are kept clean to reduce wear and corrosion.  
Protects the tank, fuel system and combustion chamber. Increases the octane number.



### Diesel Plus 2.0 additive

**500 ml bottle : 70166**  
(treats 500 L of diesel or bio-diesel)

Prevents the formation of fungi, bacteria and organic sludge.  
Ensures that nozzles and fuel system are kept clean and reduces wear and corrosion.  
Protects the tank, fuel system and combustion chamber from internal corrosion.  
Improves cold start performance and reduces emissions.  
Saves up to 4 % fuel consumption.

# Body care



## Sea Shampoo 300 ml bottle : 2213018

Two-in-one **pH 5.5** : shower gel + shampoo. Specially formulated to be used with sea water, hard, brackish or chlorinated water. Ideal to help put on a diving suit or water skins. Delicate herbal perfume.  
**Biodegradable.**



## Maritime liquid soap 200 ml bottle : 2213019

Two-in-one **neutral pH 7** : shower gel + shampoo. Specially formulated to be used with sea water, hard, brackish or chlorinated water. Ideal to help put on a diving suit or water skins. Delicate perfume.  
**Biodegradable.**

# Tableware



## Melamine tableware cleaner 250 g can : 2214878

Eliminates tea, coffee and other dark streaks on melamine tableware. Also suitable on thermos bottles, sinks, washbasins and other plastic surfaces. Active oxygen cleaner : no need to scrape. Very simple to use : apply, let the product stand and rinse with water.



## Sea Wash dishwash soap 250 ml bottle : 2213740

Do the dishes with sea water in the same conditions as with fresh water. Soft and highly concentrated formula. No need to wipe dry : leaves no hazing when drying.

# Water decontamination



## Aqua Clean water decontaminator

Suitable for drinking water and grey waters. Decontaminates drinking water in tanks : avoids the proliferation of germs for 6 months with no need to add chlorine.

Approx. 5 hours or 30 min after adding Aqua Clean, water is decontaminated of all microbes and infectious germs.



## Pura Tank

**500 ml bottle : 2211005**

Eliminates algae and other germs in water tanks. Also disinfects hoses, tubes, taps and pumps.

### Aqua Clean, efficient within 5 hours :

Contains no chlorine.

- **50 ml bottle : 2211129** (treats 500 L of water)
- **100 ml bottle : 2211101** (treats 1000 L of water)
- **Powder format : 2211004** (treats 10.000 L of water)
- **Box of 100 tablets : 2211705** (treats 2.000 L / 1 tablet = 20 L)

### Aqua Clean Quick, efficient within 30 minutes :

Contains low volume of chlorine.

- **Box of 100 tablets : 2211706** (treats 100 L / 1 tablet = 1 L)

# Sanitary



## Puryan Ultra 500 ml bottle : 2216059

Toilet fluid suitable for all chemical toilets. Highly concentrated to reduce bulk on board : equivalent to 1.5 L of normal concentrated product. Cleans and sanitizes, controls odours. Contains no formaldehydes.  
**Over 90 % biodegradable.**  
Easy to use with measuring dispenser.



## Toilet cleaner 740 ml bottle : 2216034

Cleans all marine toilets : standard or chemical, ceramic or plastic bowl. Sanitizes, protects the rubber gaskets and discharge valves.



## Purytec

- **Basic kit with T-connector : 2216534**
- **100 ml refill cartridge : 2216535**

Cleans and deodorizes bowl and pipes. Mounts easily on pipe Ø ½" or ¾" (13 or 19 mm). Works on its own every time you flush, up to 400 flushes. Contains no formaldehydes.



## Oil for toilets 100 ml bottle : 2216031

Mineral oil, **totally eco-friendly.** Preserves toilet good condition and lifetime : eliminates salt and lubricates gaskets and pump parts.



## Toilet paper Pack of 4 rolls : 2219228

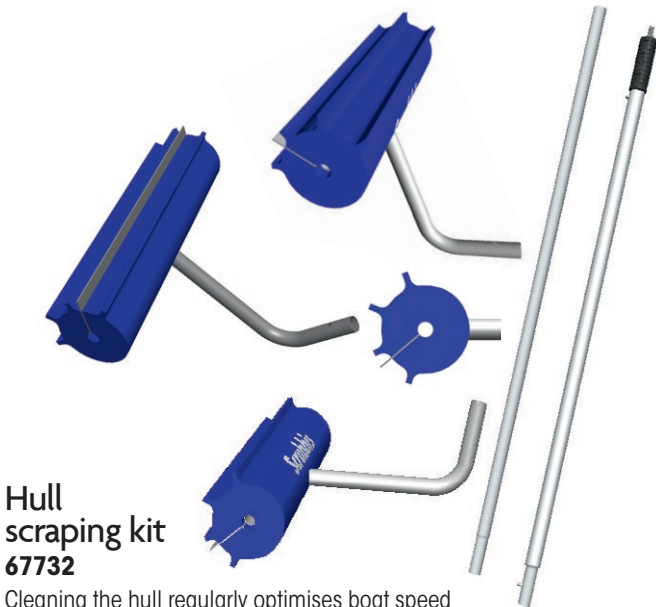
Extremely soluble. Soft double-layer paper. Flush-friendly : prevents stoppage of sewage systems.



# Washdown accessories



The Scrubbis® range is specifically designed for hull and deck cleaning and offers a variety of possibilities. All you need is a telescopic pole on board which accepts all the cleaning accessories and smart brushes which will accommodate all cleaning configurations.



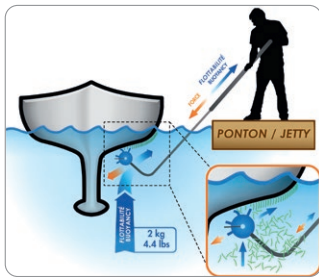
## Hull scraping kit 67732

Cleaning the hull regularly optimises boat speed and reduces fuel consumption. With the Scrubbis® scraping kit, washdown the hull without lifting the boat : the elbow head hugs the hull and can even reach as far down as the keel.

### Kit includes :

- 1 cleaning head with 2 kg built-in buoyancy, 9.5 x 40 cm (Ø x W).
- 2 rubber scrapers (hard blade and soft scraper).
- 1 telescopic pole that extends to 2.10 m (the Scrubbis® all-rounder pole).
- 1 anodised aluminium extension pole, 3.20 m long to wash even the keel.
- 1 elbow junction tube.

The whole kit can be disassembled for space saving and easy storage. Tubes and pipes are compatible with other Scrubbis® accessories.



**Option**



**Spare cleaning head 67734**  
Spare head features a soft scraper and a hard scraping blade. Dimensions : 9.5 x 40 mm (Ø x W).

## Groovy head 67735

Synthetic groovy brush head designed to clean the hull and eliminate advanced fouling and heavy marine growth without lifting the boat.

Dimensions : 11 x 40 cm (Ø x W).

For optimum results, we recommend to use the hull scraping brush first.

Groovy head comes on its own. Scrubbis® telescopic pole or hull scraping kit ref. 67732 need to be ordered separately.



## Telescopic pole 2486151

The must-have tool on board to wash deck and hull and make docking easier. Anodised aluminium telescopic pole, flow-through for easy washdown : it is the all-rounder pole which accepts all Scrubbis® accessories, cleaning and mooring alike.

Length : 1.10 to 2.10 max.

Secure and firm connection with stainless steel spring button when pole is extended to desired length. Non-skid plastic handle for a very good grip.

## DipDeck water container brush 67740

DipDeck water container brush is an eco-friendly way to wash the boat. Avoid using fresh water : just fill in the tank with sea water to washdown the deck. Smart and simple : collapsible bellows design for compact storage. Dimensions : 24 x 13 cm. Expanded height : 35 cm. Capacity : 4 litres. Water container brush comes on its own. Scrubbis® telescopic pole needs to be ordered separately.



©François Paris - Moteur Boat Magazine

## Waterline brush 67733

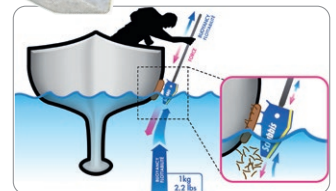
Specially designed to clean the waterline during the season with no need to dive or lift the boat.

- Blue side : soft fleece to remove dirt and rinse.
- Brush side : scraping surface to clean.

1 kg buoyancy contributes to hull-hugging.

Dimensions : 8 x 20 x 12 cm (Thickness x W x H).

Waterline brush comes on its own. Scrubbis® telescopic pole needs to be ordered separately.



# Mooring accessories



The addition of mooring accessories makes the must-have pole a major contributor to smooth docking and safe mooring on buoys.

## Boat hook and rope feeder



Add accessories to the Scrubbis® all-rounder pole to obtain a boat hook or a mooring rope feeder with a 1.1 m to 2.1 m reach.



**Make up your own boat hook :**  
Telescopic aluminium pole :  
**2486151**  
+ Boat hook : **67737**

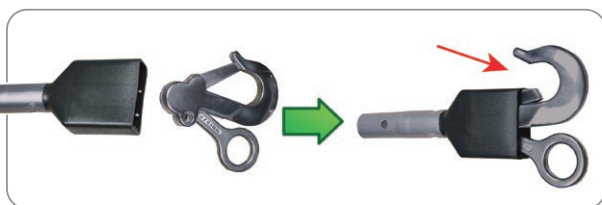
**Make up your own hook and rope feeder :**  
Telescopic aluminium pole :  
**2486151**  
+ Boat hook + rope feeder :  
**2486107**



Helps running the mooring rope through the buoy ring safely and easily.

## Mooring hook 67738

Highly resistant hook (2500 kg SWL) in 316 stainless steel construction for a secured mooring.  
Latch locks automatically when rope is tensioned.  
Extra safe : hook can be open only if no tension is exerted on the rope.



## Hookgrip and sling holder 67736

Safe and easy mooring or docking.  
Holder comes on its own, fully efficient when combined with mooring hook or sling strap.



## Sling strap 67739

Safe and easy mooring.  
High resistance sling (2500 kg SWL).  
Fits into the optional hookgrip holder ref. 67736 and forms a loop up to 32 cm Ø.

Sling strap comes on its own. Scrubbis® telescopic pole ref. 2486151 provides up to 2.10 m reach and needs to be ordered separately.





# Boat care accessories

## Aquablue telescopic deck brush

**67901**

Combines a 5-sided original brush head and a flow-through telescopic pole.

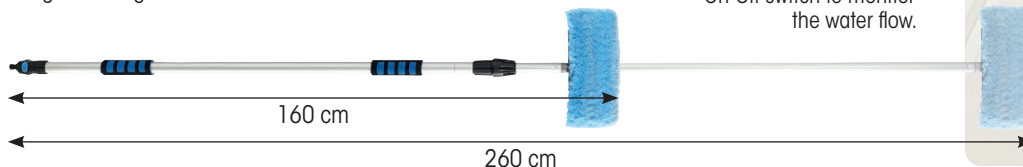
The telescopic pole (extends from 125 to 250 cm) allows you to reach all parts of the boat virtually effortless, including when the boat is on dry dock.

Aluminium end fitting for extra lifetime : Ø 26-30 mm.

5-sided synthetic bristle brush, 30.5 cm long.

Does not scratch the deck nor the acrylic glass.

Weight : 1.2 kg.



The washdown winning pair is the Aquablue deck brush combined with the Blue Python hose.



## Blue Python stretch water hose

**2500080**

The stretch water hose Blue Python is a lightweight accessory, compact and perfect for easy storage : it won't tangle, kink or twist. Expands up to 3 times its original length with water on and comes back and retracts to original length after use (7.5 m).

Rugged design features 3-layer construction : outer covering (5000 deniers) knitted braiding and latex twin layer inside tube.

- Max. length : 22.50 m.
- Withstands high pressure in marinas up to 10 bar.
- Weight : 600 g.
- Comes complete with a male/male connector, a universal 1/2" and 3/4" tap connector and an 8-way adjustable spray nozzle.



## Creeping Crack Cure liquid sealant

• 60 ml bottle : **1260100**

• 250 ml bottle : **1260250**

Leak finder and filler, fills small cracks and delivers invisible repairs with no need to remove existing equipment or hardware.

Liquid copolymer sealant : water-based formula that works its way into small cracks via a capillary action. It follows the path of the water to seal the leak at its source. Once embedded in the crack, it polymerizes and creates a durable watertight seal that prevents leaks and drips.

Common applications : deck hatches, portholes, deck, roof, watertight mounting of deck hardware or daggerboard case, etc...

Suitable for most materials on board : wood, rubber, glass, fibreglass, aluminium, rigid plastics, ceramics, sealants...

Non-toxic : safe to use on ceramics and tableware.

80



## Anti-return valve

**67232**

**EXCLUSIVE** : suitable for Ø 25 mm fuel hose (when all vents on the market are designed for Ø 16 mm hose).

- Material : PA6 with specific flame-retardant treatment.
- Installation : on fuel hose Ø 25 mm or 38 mm.
- Homologation : compliant with SAE J1527 standard, ISO 10088, ISO 7840 and USCG standards.

Anti-return valve device to mount on the hose according to the recommendations of above mentioned standards.

Designed to equip large fuel tanks that generate a large air flow : it provides efficient venting on large fuel tanks that can use a fuel nozzle delivering 100 to 120 L/min.

A ball inside acts as a float switch that closes the valve when fuel has reached the level required.

Designed by the Plastimo R & D team to meet the needs of boatbuilders : the Ø 25 mm anti-return valve is a simple and economical solution that eliminates the need to install several Ø 16 mm valves in parallel, with all the handling and costly fireproof accessories that it implies.

DESIGNED BY  
**PLASTIMO**



## Silicone collapsible bucket

**2215627**

Capacity : 7.2 L.

Top Ø 29 cm, bottom Ø 17.5 cm.

Height when deployed 19.5 cm.

Height when collapsed 5 cm.

Weight : 850 g.

# Original Boat cleaners



Widely acclaimed by the car industry for their outstanding efficiency, ABNET products come in a marine version under the brand Original Boat.

Presented as a highly concentrated formula, Original Boat cleaners must be diluted in water and sprayed or applied with a sponge on indoor or outdoor surfaces, in the engine room, in the bilge, on fenders...



**PRODUIT À DILUER**  
**TO BE DILUTED**

In order to activate most efficiently the active ingredients in the Original Boat and Bio'Clean bottle and drum, the product must absolutely be diluted. Dilute in fresh water with a 5 to 25% ratio, depending on the surface dirt. Does not apply to the hull brightener which is ready for use.

Created and made in France



## Classic cleaner

Multi-purpose cleaner and degreaser.

- Concentrate to be diluted  
1 L bottle : **68790**  
5 L drum : **68789**
- Ready to use (diluted)  
750 ml spray : **68791**

## Hull cleaner / brightener

Brightens white colour gelcoat.  
Removes yellow hazing and oxidation streaks.

- Ready to use  
1 L bottle : **68969**  
5 L drum : **68968**



## Bio'Clean cleaner

Multi-purpose cleaner and degreaser.  
Safe for use on surfaces in contact with food.

- Concentrate to be diluted  
1 L bottle : **68971**  
5 L drum : **68970**
- Ready to use (diluted)  
750 ml spray : **68972**



**100 % biodegradable in 21 days**  
(OCDE-302-B standard).  
21 days for concentrated formula,  
14 days for ready to use version.

**Photos :** Baptiste Leglatin, Jean-Marie Liot, Thomas Deregnieux, Boris Réjou, Yvan Zedda, Typhoon®  
Any reproduction, whatever the media, is strictly forbidden without the autorisation from Plastimo and the photographer.

Misprints excepted, this catalogue is intended to give a general description only. Illustrations, sizes and descriptions are generally accurate on printing date but will not be considered binding or part of a contract. Plastimo and their suppliers reserve the right to alter technical specifications without notice.  
Colours shown are as accurate as printing variations may permit.



To control their transport-related carbon footprint, Plastimo promote local partners : this brochure was printed at Icoënes in Caudan, just a stone's throw from the Plastimo head office.



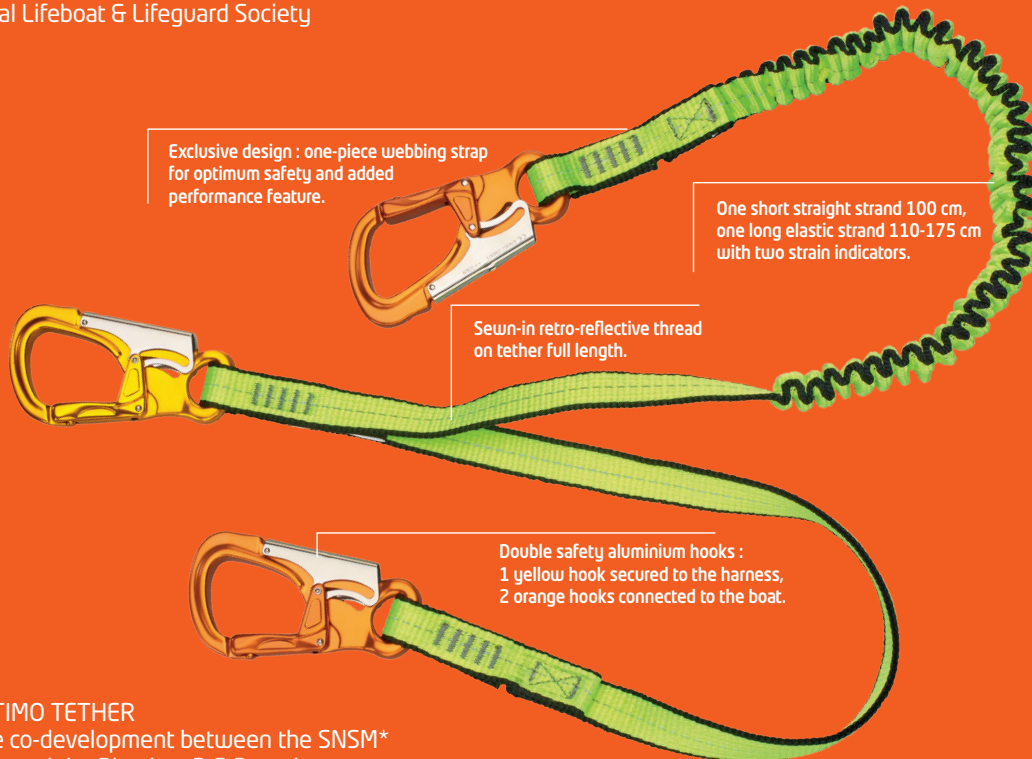
SHARING THE SAME COMMITMENT TO SAFETY AT SEA,  
PLASTIMO INNOVATES WITH SNSM\*



Charles Marion ©

## NEW : SNSM\* - PLASTIMO TETHER

\*French National Lifeboat & Lifeguard Society



Exclusive design : one-piece webbing strap for optimum safety and added performance feature.

One short straight strand 100 cm, one long elastic strand 110-175 cm with two strain indicators.

Sewn-in retro-reflective thread on tether full length.

Double safety aluminium hooks :  
1 yellow hook secured to the harness,  
2 orange hooks connected to the boat.

The SNSM\*-PLASTIMO TETHER stems from a close co-development between the SNSM\* purchasing experts and the Plastimo R & D engineers, who worked hand in hand to design the safest tether and generate optimum performance : safety, confidence and commitment to guarantee the safety of all seafarers and shore activity enthusiasts.

Designed by Les Sauveteurs en Mer

MORE INFO ON [PLASTIMO.COM](http://PLASTIMO.COM)

  
**PLASTIMO**  
*happy boating to you!*

B. Leglavin © 019906